

TRAIL FINDER 2

RC4WD TRAIL FINDER 2 TRUCK KIT W/1982 TOYOTA PICKUP HARD BODY COMPLETE SET

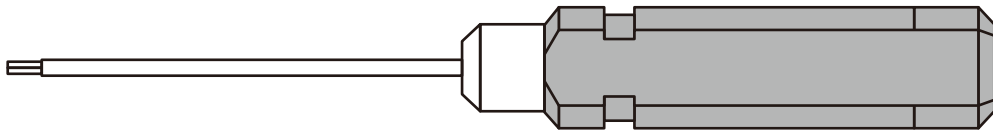


TOYOTA

OFFICIAL
LICENSED
PRODUCT



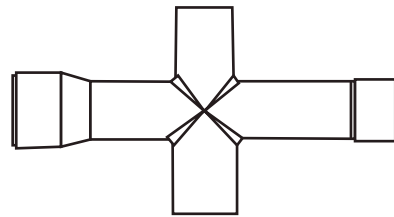
Recommended Tools



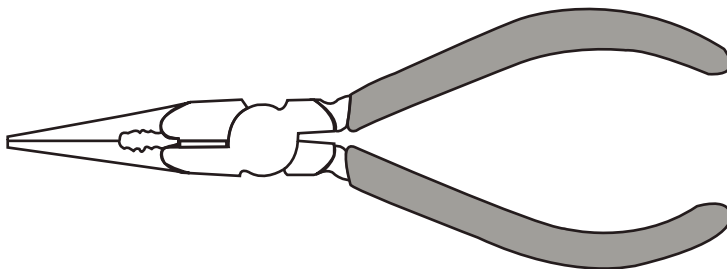
Hex Drivers (1.5mm, 2mm, 2.5mm)



Thread Lock



Cross Wrench



Long Nose Pliers

Tips for Assembly

Use good quality hex drivers to avoid stripping screw heads.

Use thread lock when putting metal screws into metal parts.

Note: Steps marked with an asterisk (*) require thread lock.

Use thread lock sparingly.

Do not over tighten screws otherwise you may strip the thread.



Warranty

RC4WD non-electrical products are warranted to be free of defects in materials and workmanship when new. Our limited warranty does not cover damages due to normal wear and tear, user error of assembly or installation, user modifications, user's failure to perform routine maintenance, addition of aftermarket parts or option parts. This warranty lasts 30 days after arrival for original purchaser.

In the event of a defect under this warranty, RC4WD will, at our discretion, replace the product, provided our inspection indicates that an original defect exists. RC4WD reserves the right to replace any product which is no longer available with a product of comparable value and function. If RC4WD determines the repair is not covered under warranty guidelines, we will contact you to discuss your options. If you have any questions, please contact us via email at support@rc4wd.com.

RC4WD warrants its electronics for 30 days from date of arrival. This covers all electrical items except items that are already noted on the individual product page.

Los productos no eléctricos RC4WD están garantizados como libres de defectos en materiales y mano de obra cuando son nuevos. Nuestra garantía limitada no cubre los daños debidos al desgaste normal, a errores de montaje o instalación por parte del usuario, a modificaciones del usuario, a la falta de mantenimiento rutinario por parte del usuario, a la adición de piezas de recambio o a piezas opcionales. Esta garantía dura 30 días después de la fecha de entrega para el comprador original.

En el caso de un defecto bajo esta garantía, RC4WD, a nuestra discreción, reemplazará el producto, siempre que nuestra inspección indique que existe un defecto original. RC4WD se reserva el derecho de sustituir cualquier producto que ya no esté disponible por otro de valor y función comparables. Si RC4WD determina que la reparación no está cubierta por la garantía, nos pondremos en contacto con usted para discutir sus opciones. Si tiene alguna pregunta, por favor contáctenos por correo electrónico a support@rc4wd.com.

RC4WD garantiza su electrónica por 30 días a partir de la fecha de entrega. Esto cubre todos los artículos eléctricos, excepto los que ya están anotados en la página del producto individual.

Les produits non électriques RC4WD sont garantis comme étant exempts de défauts de matériaux et de fabrication lorsqu'ils sont neufs. La garantie limitée ne couvre pas les dommages dus à l'usure normale, aux erreurs de montage ou d'installation de l'utilisateur, aux modifications apportées par l'utilisateur, au défaut d'entretien courant de l'utilisateur, à l'ajout de pièces de rechange ou de pièces optionnelles. Cette garantie dure 30 jours à compter de la date d'arrivée de l'acheteur initial.

En cas de défaut au titre de cette garantie, RC4WD remplacera, à notre discrétion, le produit, à condition que notre inspection indique qu'il s'agit d'un défaut d'origine. RC4WD se réserve le droit de remplacer tout produit indisponible par un produit de valeur et de fonction comparables. Si RC4WD détermine que la réparation n'est pas couverte par les directives de garantie, nous vous contacterons pour discuter des possibilités qui s'offrent à vous. Si vous avez des questions, veuillez nous contacter par courriel à support@rc4wd.com.

RC4WD garantit ses appareils électroniques pendant 30 jours à compter de la date d'arrivée. Cette garantie couvre tous les articles électriques, à l'exception de ceux qui sont déjà mentionnés sur la page de chaque produit.

Alle RC4WD, nicht elektrischen Produkte" sind garantiert frei von Materialfehlern durch die Produktion und Verarbeitung. Die Garantie deckt nicht Schäden aufgrund normaler Abnutzung, Benutzerfehler bei der Montage oder Installation, Änderungen durch den Benutzer, unterlassen der routinemäßigen Wartung durch den Benutzer, hinzufügen von Fremdteilen oder Optionsteile. Diese Garantie beträgt 30 Tage nach Kauf und Erhalt der Ware durch den Käufer. Im Falle eines Mangels im Rahmen dieser Garantie, wird RC4WD nach Ermessen und sofern nach einer Kontrolle ein ursprünglicher Defekt vorliegt, das Produkt austauschen.

RC4WD behält sich das Recht vor, Produkte die nicht mehr erhältlich sind, mit einem gleichwertigem Produkt mit vergleichbarer Funktion zu tauschen.

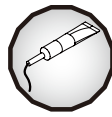
Wenn die Reklamation nicht mehr unter der Garantie fällt, wird Sie RC4WD für weitere Lösungen kontaktieren. Bei Fragen kontaktieren Sie uns bitte per E-Mail unter support@rc4wd.com.



Instruction Manual Symbols Key



Apply Thread Lock



Apply Grease



Glue



Trim with Hobby Knife



CA Glue



Remove



Cut with Scissors



Repeat or Build Multiple



Build Right and Left



Paint



Attention



Build Front and Rear


Tips for Assembly

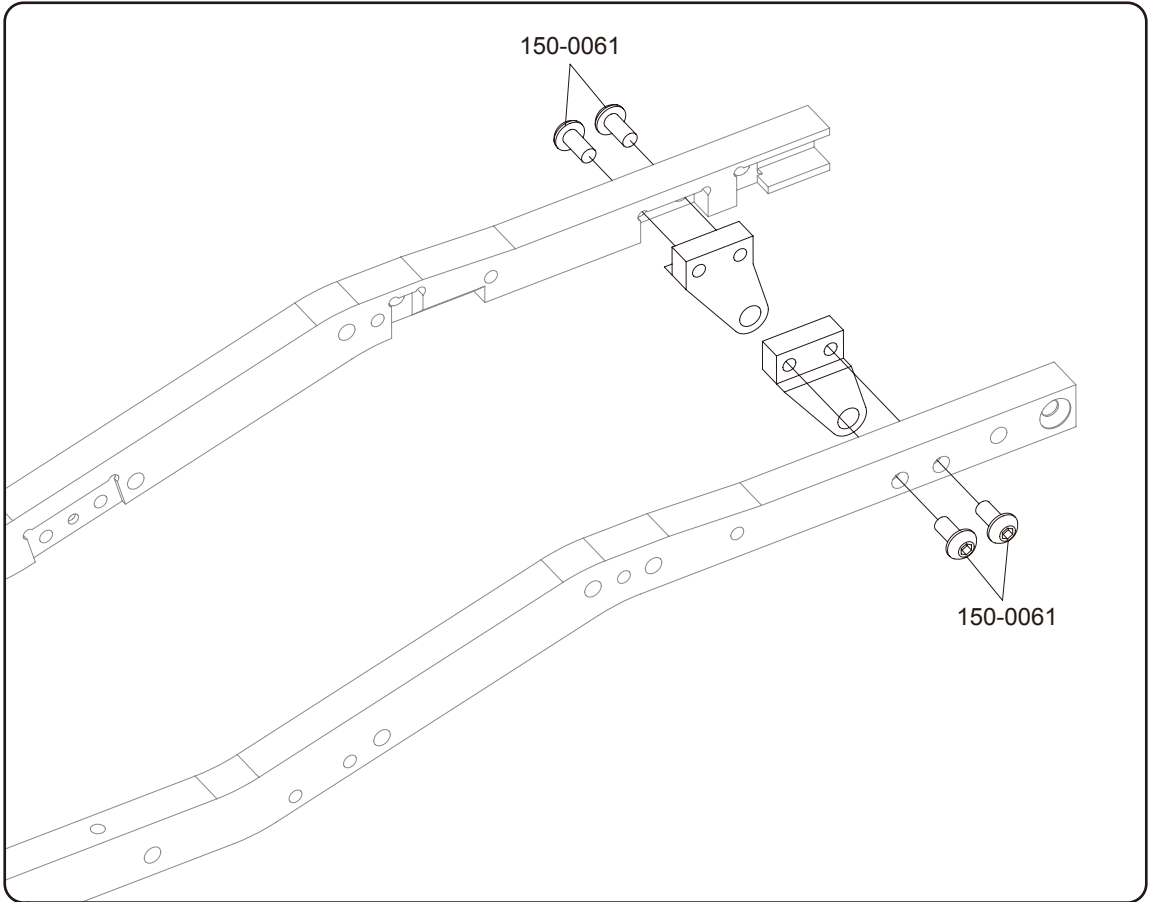
- Use good quality hex drivers to avoid stripping screw heads.
- Open kit bags in order of assembly steps.
- Use “Step” index for quantity and size of hardware to be used for assembly.
- Do not over tighten screws.
- Use thread lock sparingly on metal parts.

Recommendations for building your RC4WD Trail Finder 2 Truck Kit


1. Carefully remove all parts from bags and sort them. Make sure to use threadlock on all screws in aluminum.
2. Do not over-tighten screws. Stripping screw heads and holes during assembly can happen if you are using too much force.

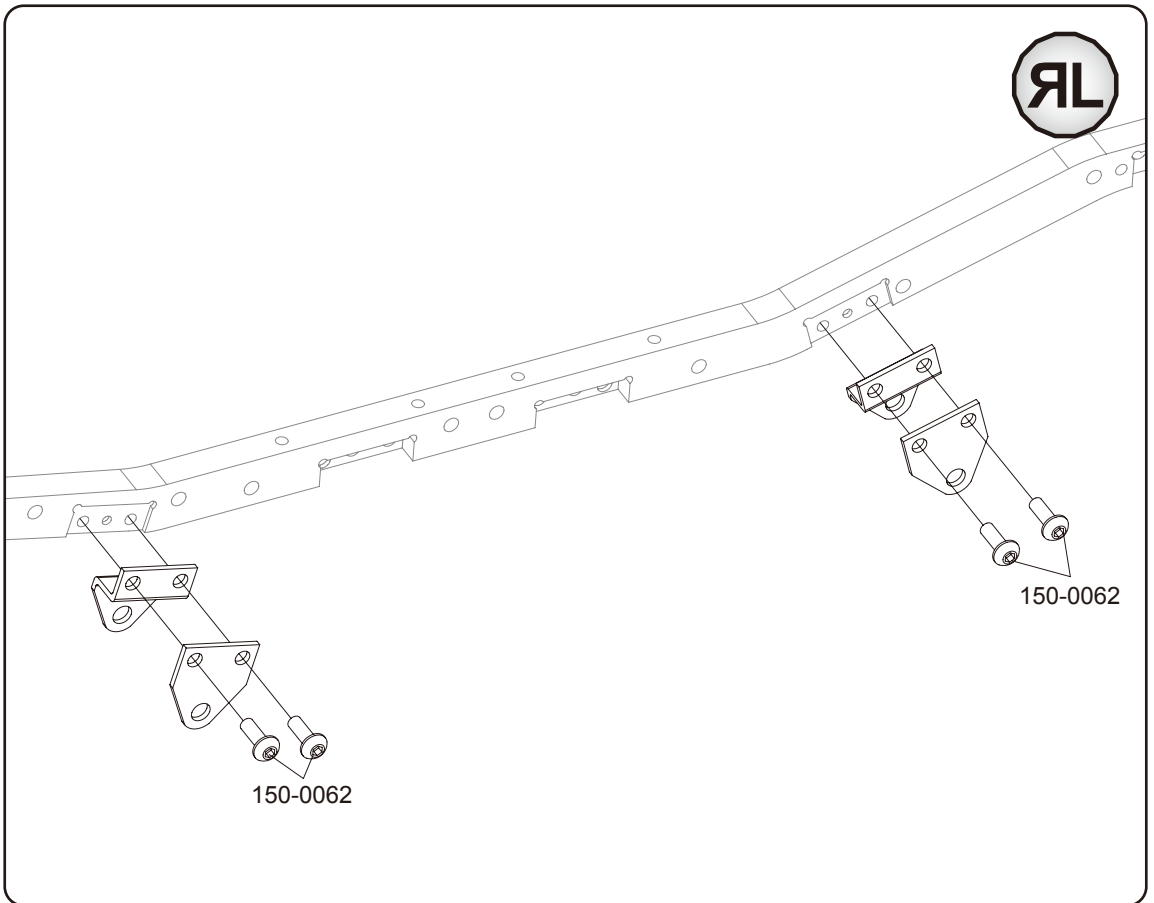
RC4WD
Step 1

 X4
150-0061
M3 x 6mm BHCS





RC4WD
Step 2

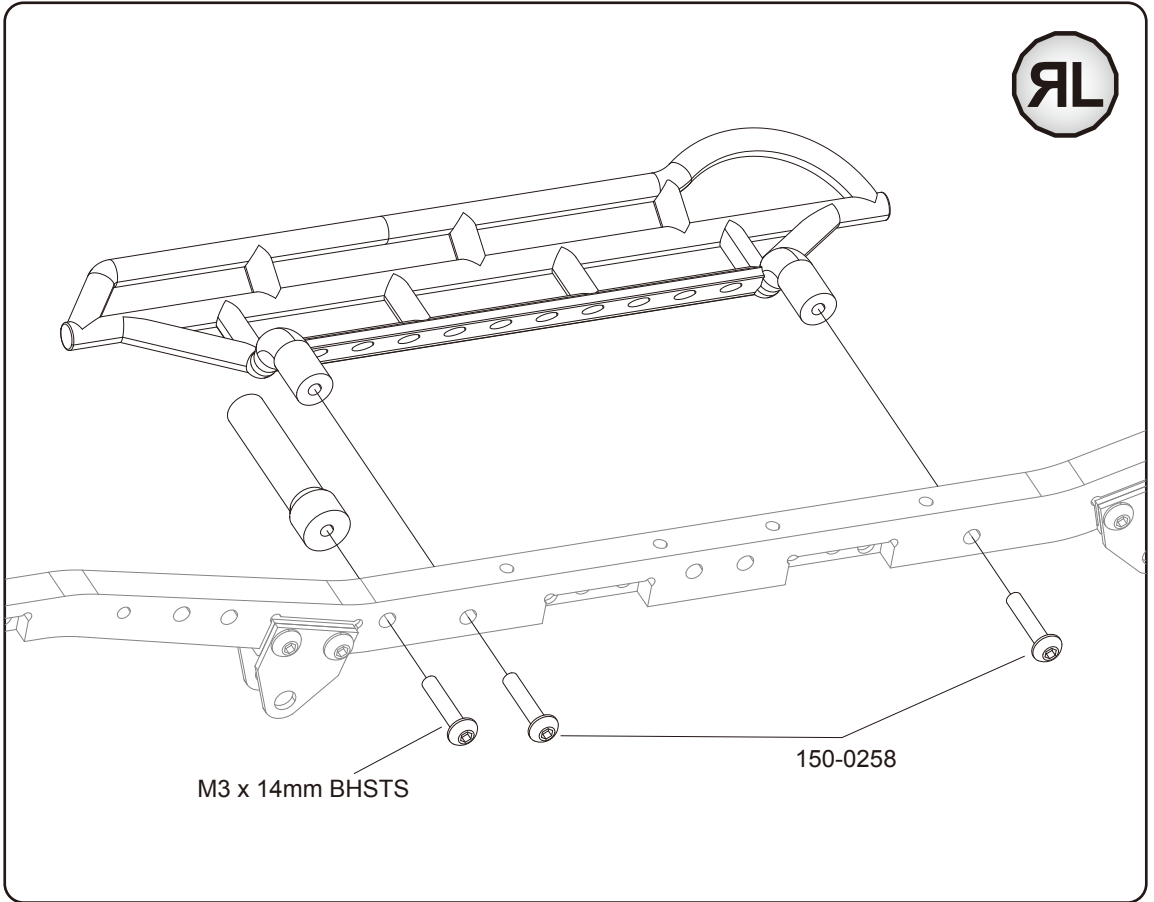
 X8
150-0062
M3 x 8mm BHCS



RC4WD
Step 3


 X4
150-0258
M3 x 12mm BHSTS

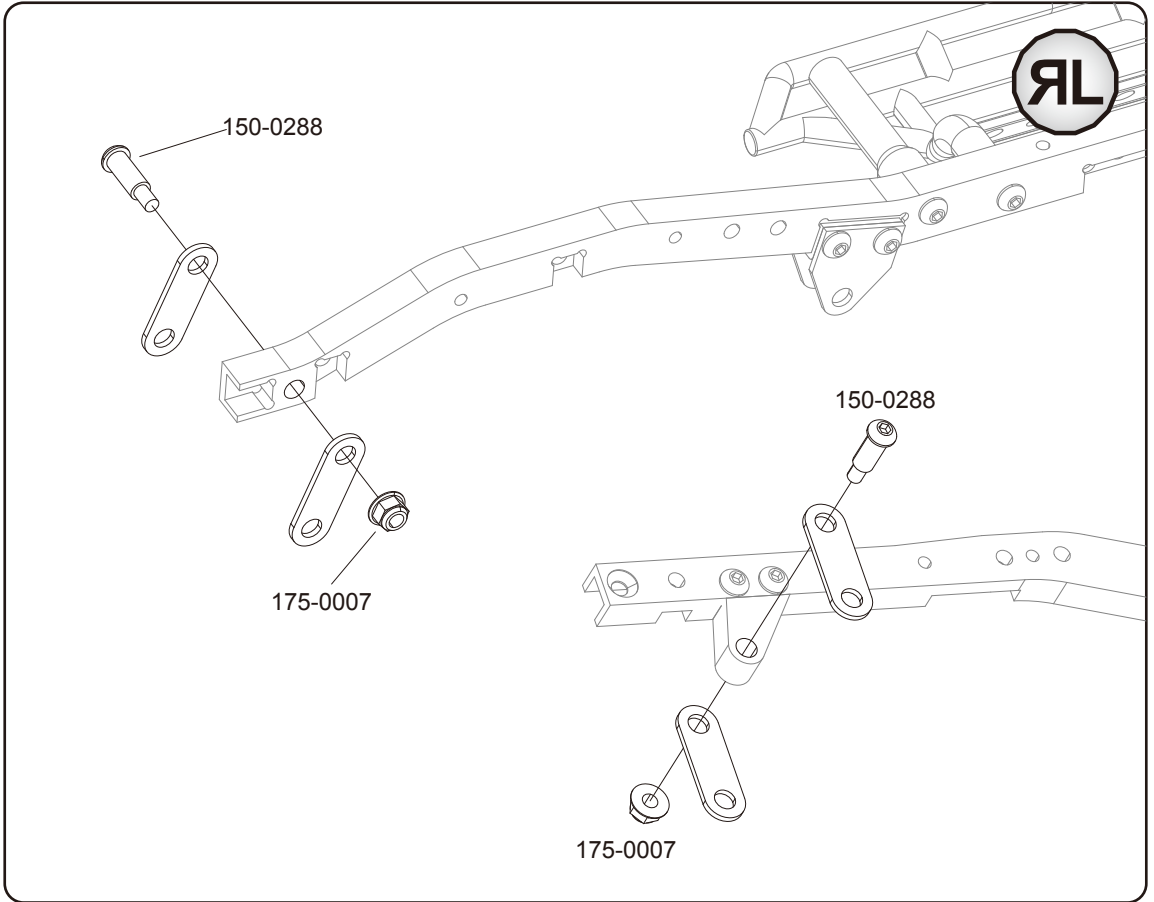
 X2
M3 x 14mm BHSTS




RC4WD
Step 4


 X4
175-0007
M3 Black Lock Nut

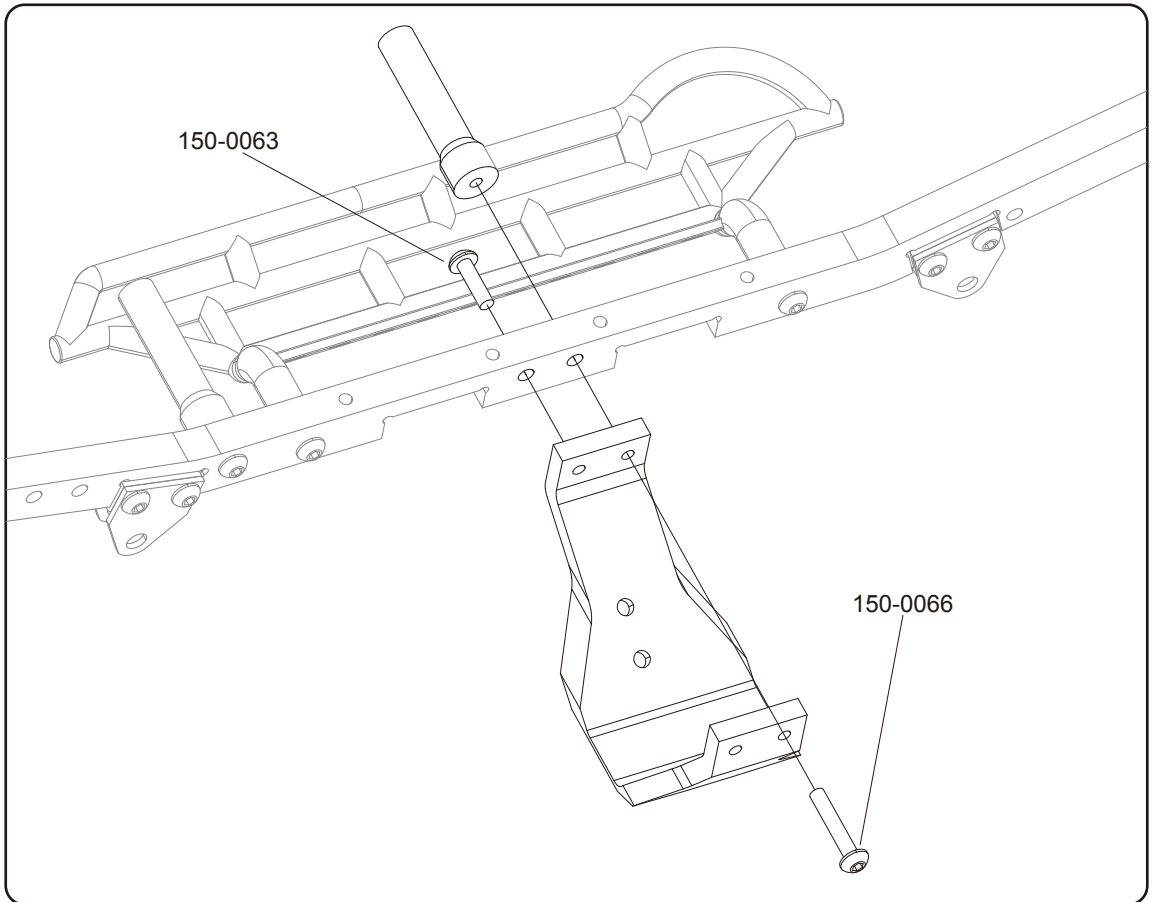
 X4
150-0288
M3 x 15mm
Shoulder Screw




RC4WD
Step 5


 X1
150-0063
M3 x 10mm BHCS


 X1
150-0066
M3 x 16mm BHCS

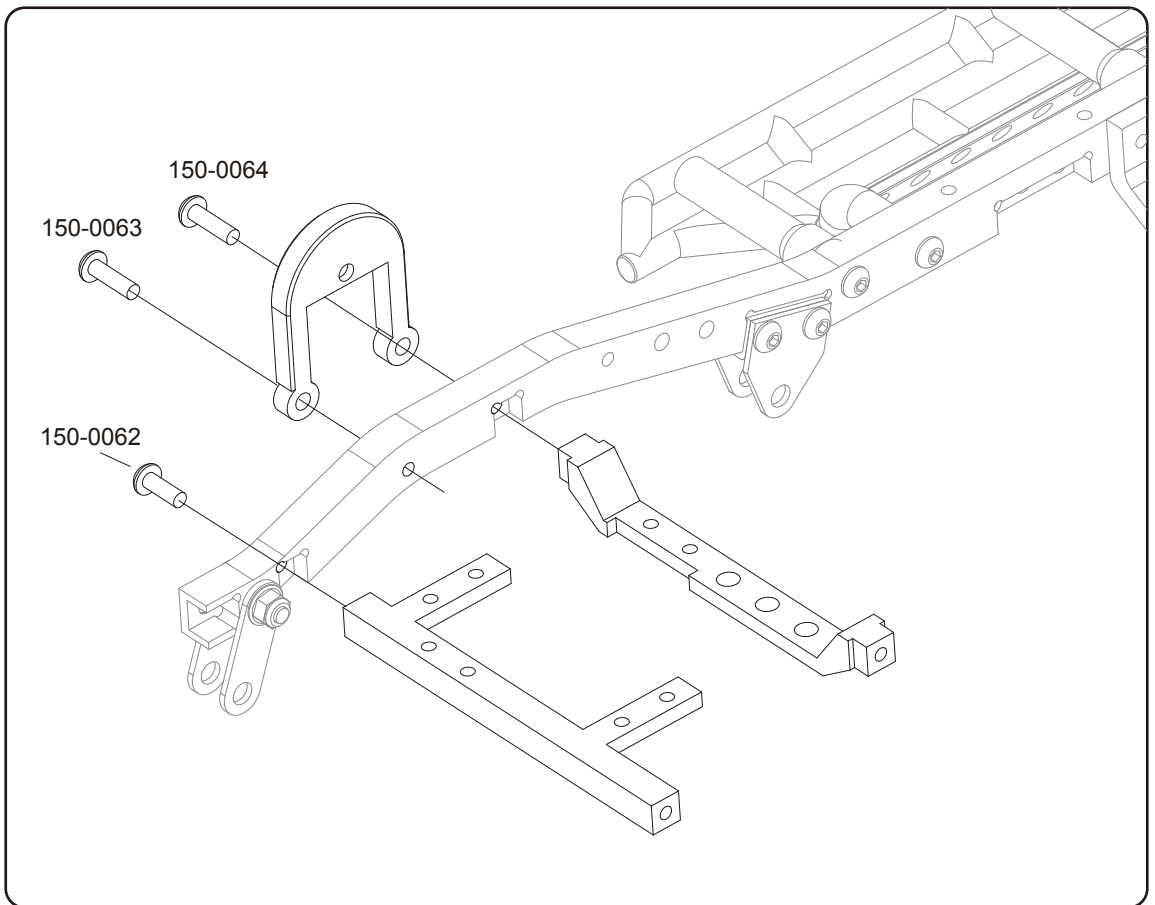


RC4WD
Step 6


 X1
150-0062
M3 x 8mm BHCS


 X1
150-0063
M3 x 10mm BHCS

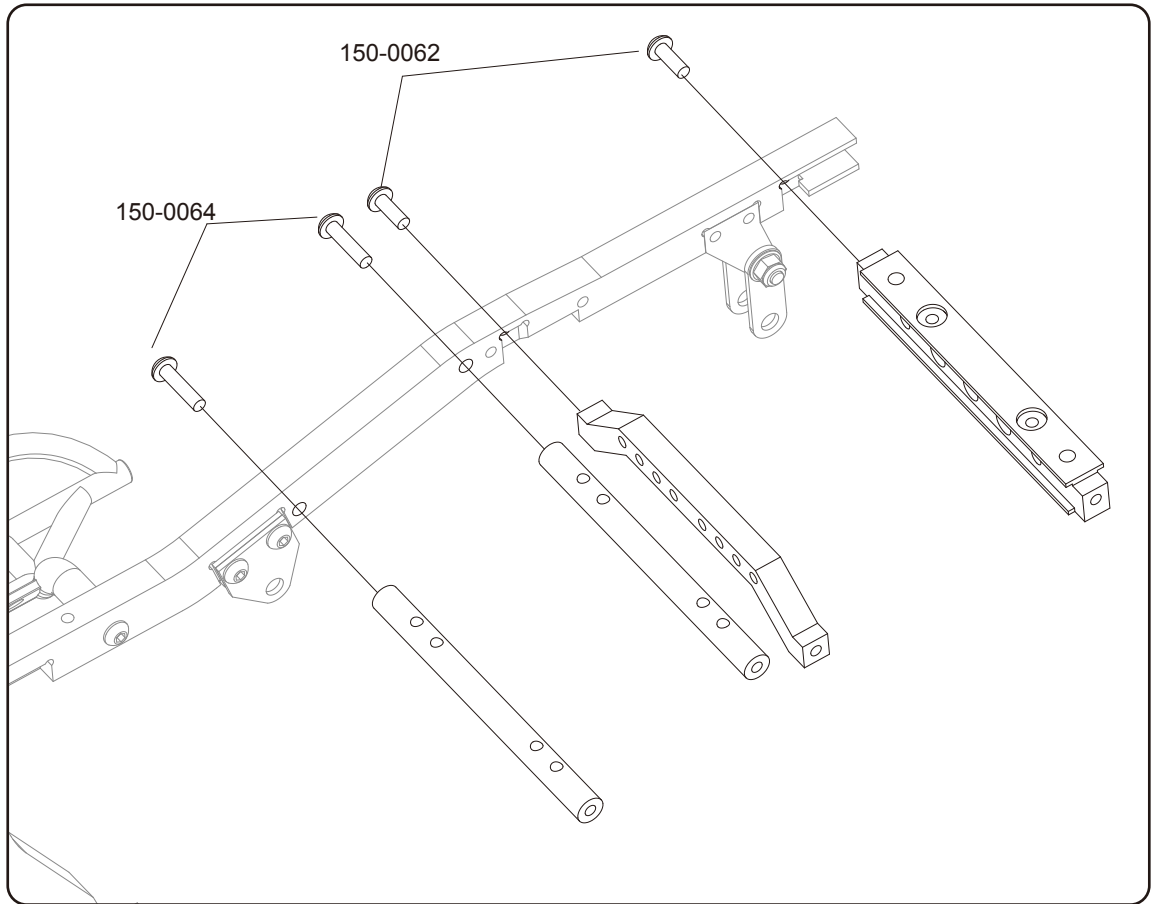
 X1
150-0064
M3 x 12mm BHCS




RC4WD
Step 7

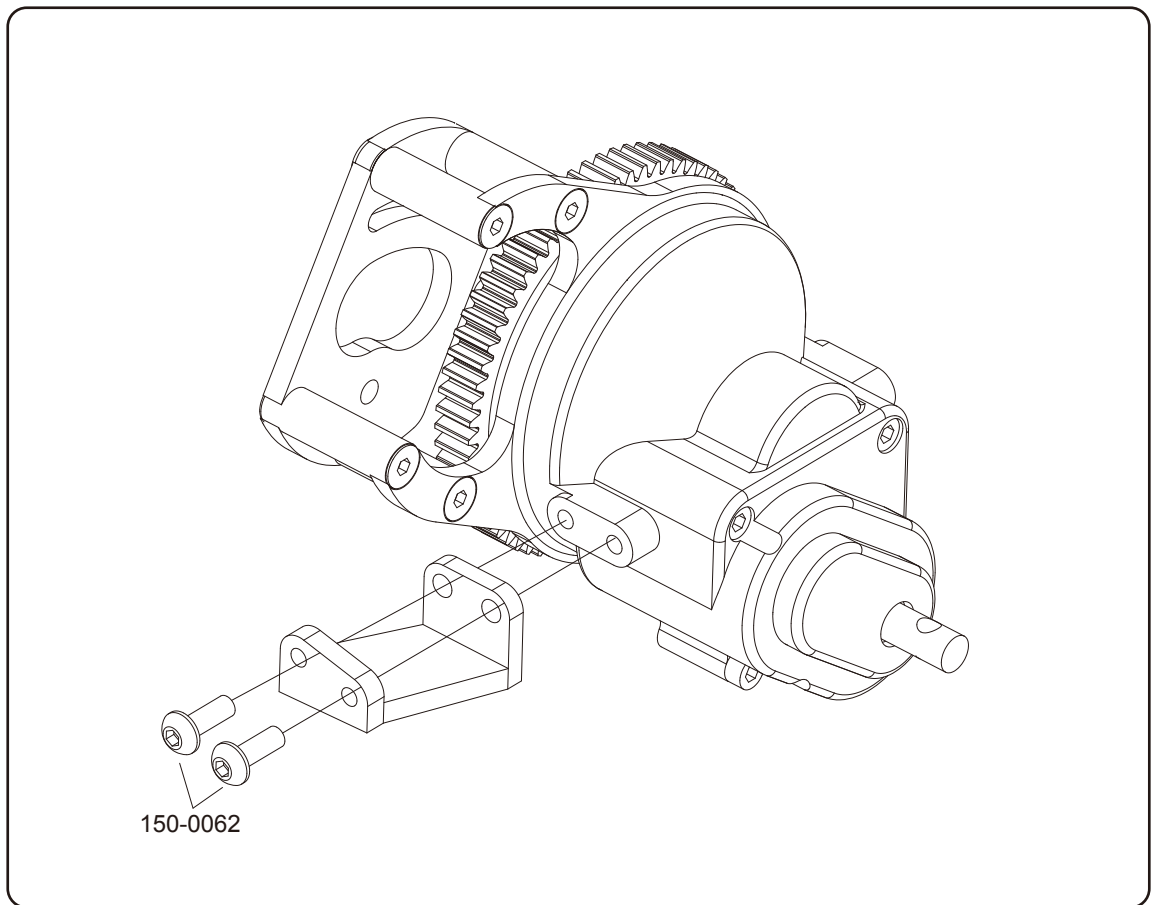
 X2
150-0064
M3 x 12mm BHCS

 X2
150-0062
M3 x 8mm BHCS




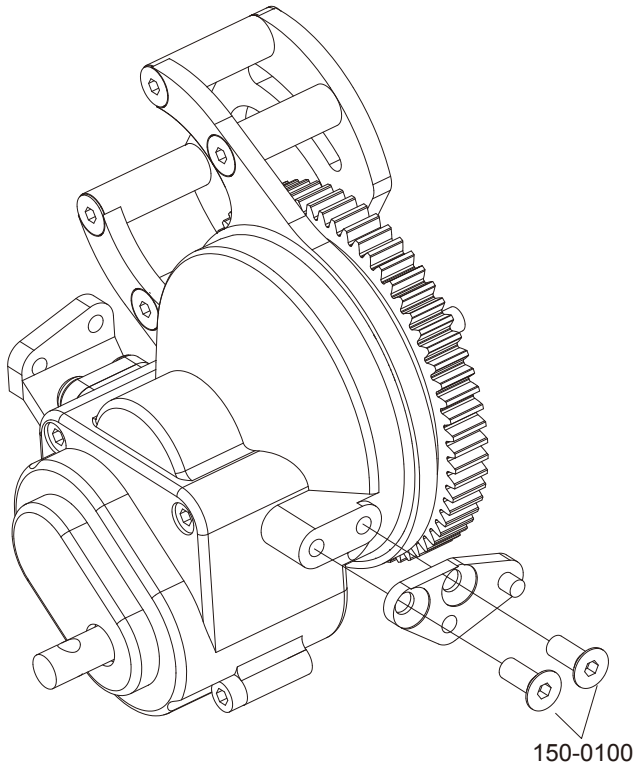
RC4WD
Step 8

 X2
150-0062
M3 x 8mm BHCS




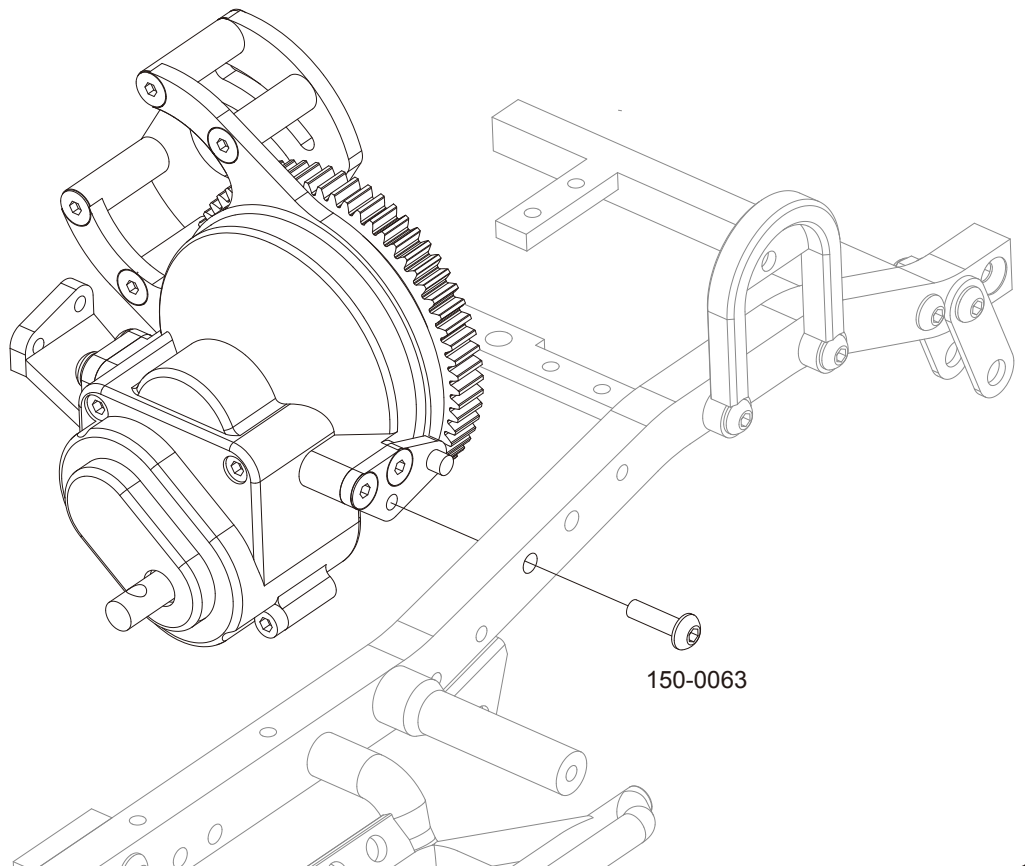
RC4WD
Step 9

 X2
150-0100
M3 x 8mm FHCS






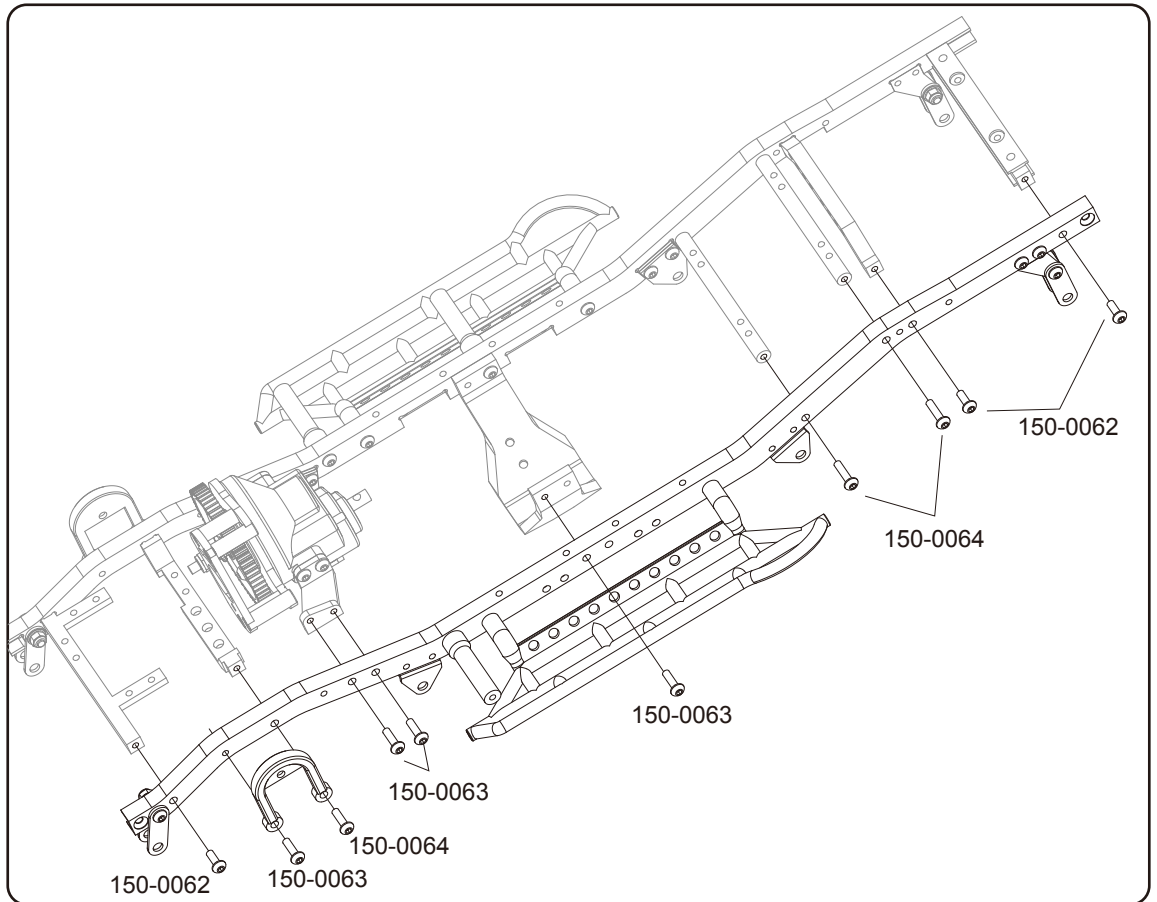
RC4WD
Step 10

 X1
150-0063
M3 x 10mm BHCS




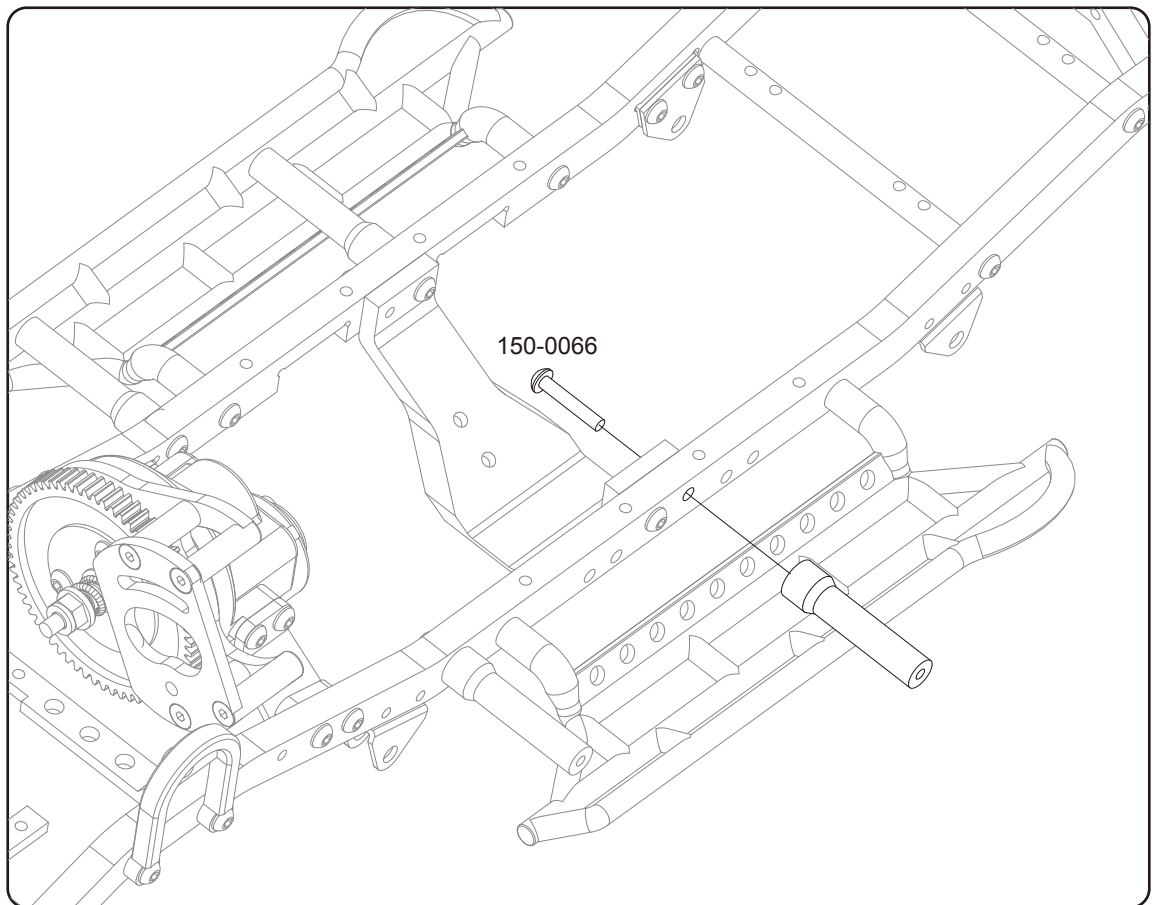
RC4WD
Step 11

-  X4
150-0063
M3 x 10mm BHCS
-  X3
150-0064
M3 x 12mm BHCS
-  X3
150-0062
M3 x 8mm BHCS



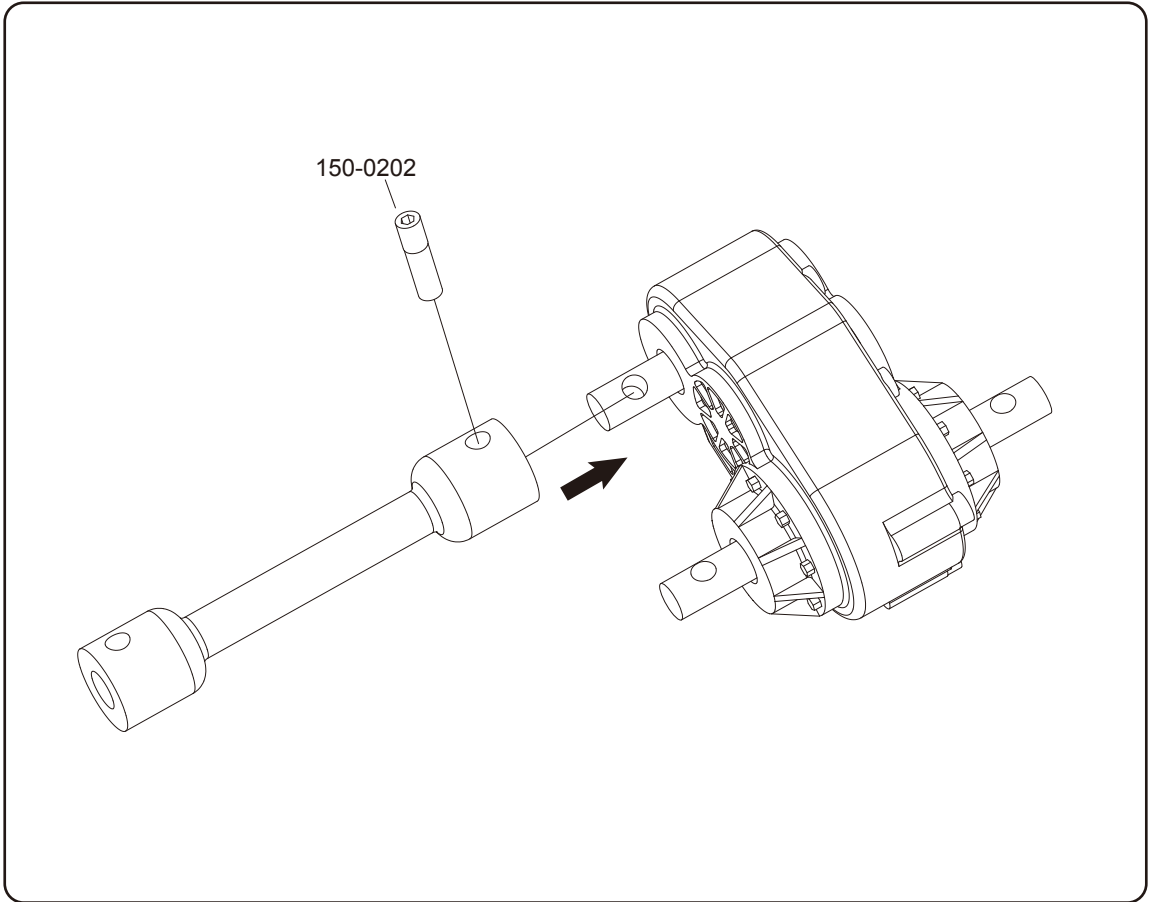
RC4WD
Step 12

-  X1
150-0066
M3 x 16mm BHCS




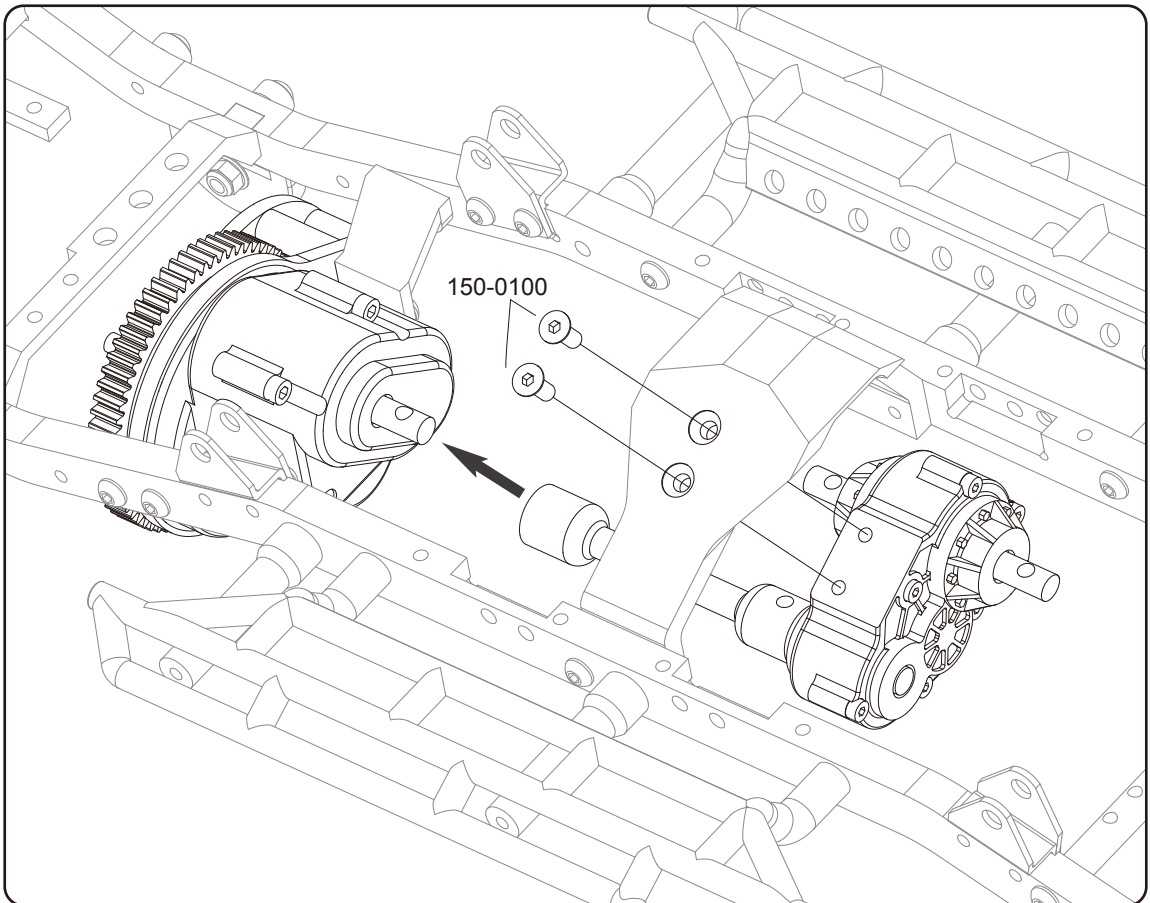
RC4WD
Step 13

 X1
150-0202
M3 Drive Shaft Pin




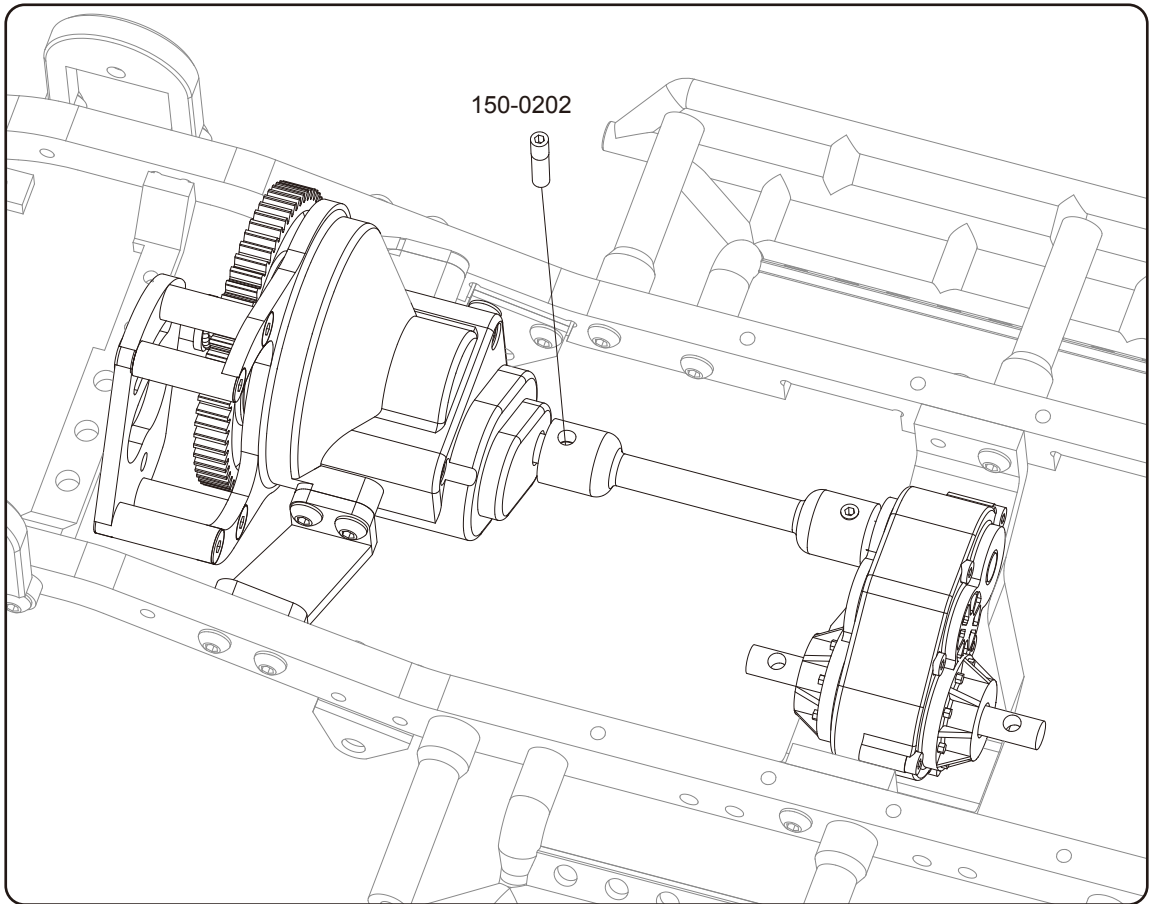
RC4WD
Step 14

 X2
150-0100
M3 x 8mm FHCS




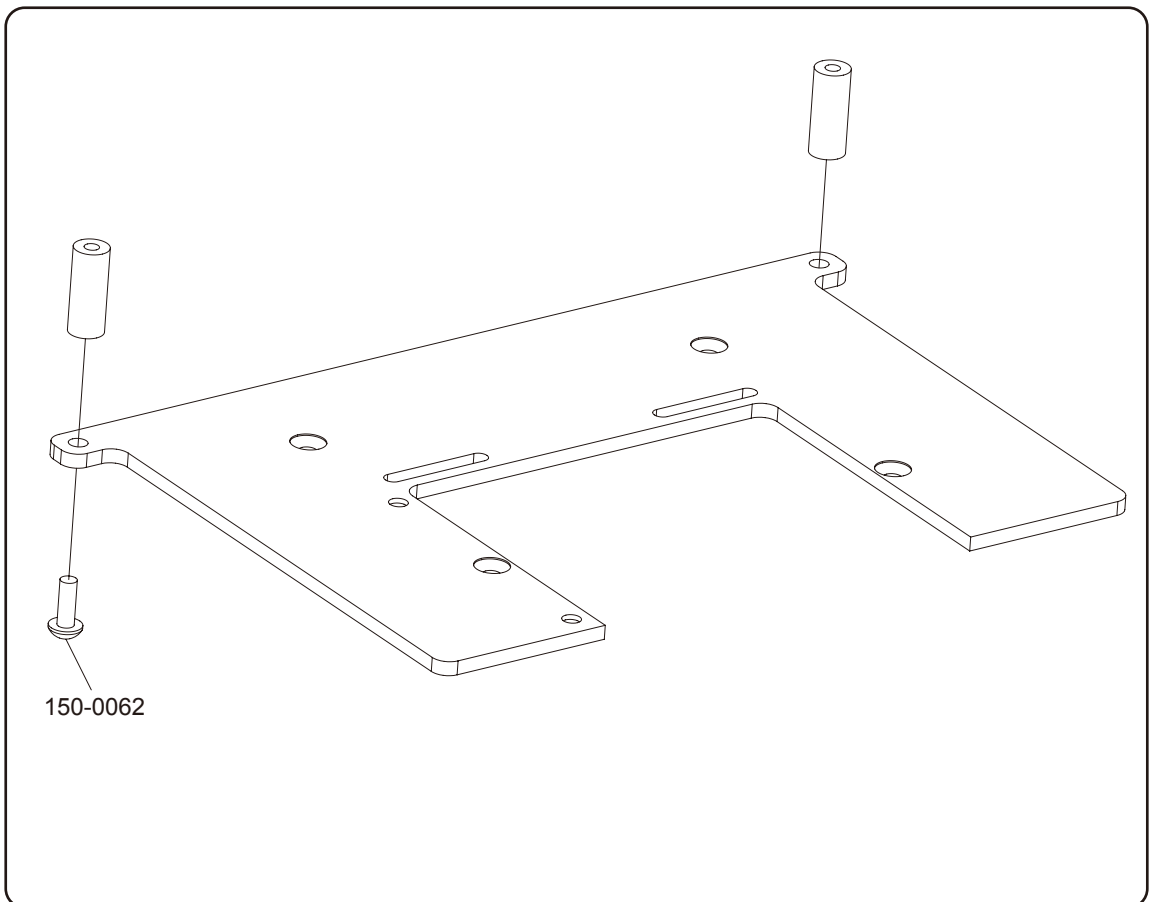
RC4WD
Step 15

 X1
150-0202
M3 Drive Shaft Pin



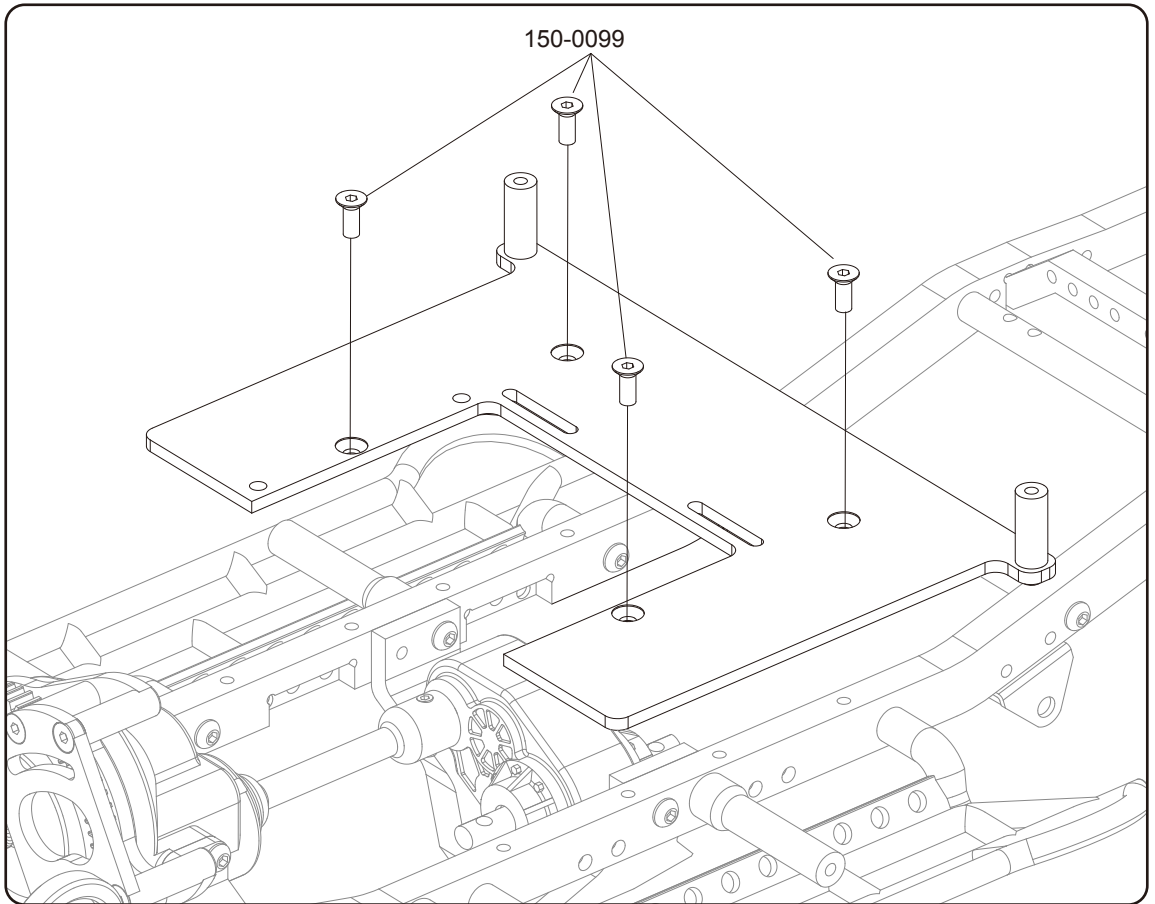
RC4WD
Step 16

 X2
150-0062
M3 x 8mm BHCS




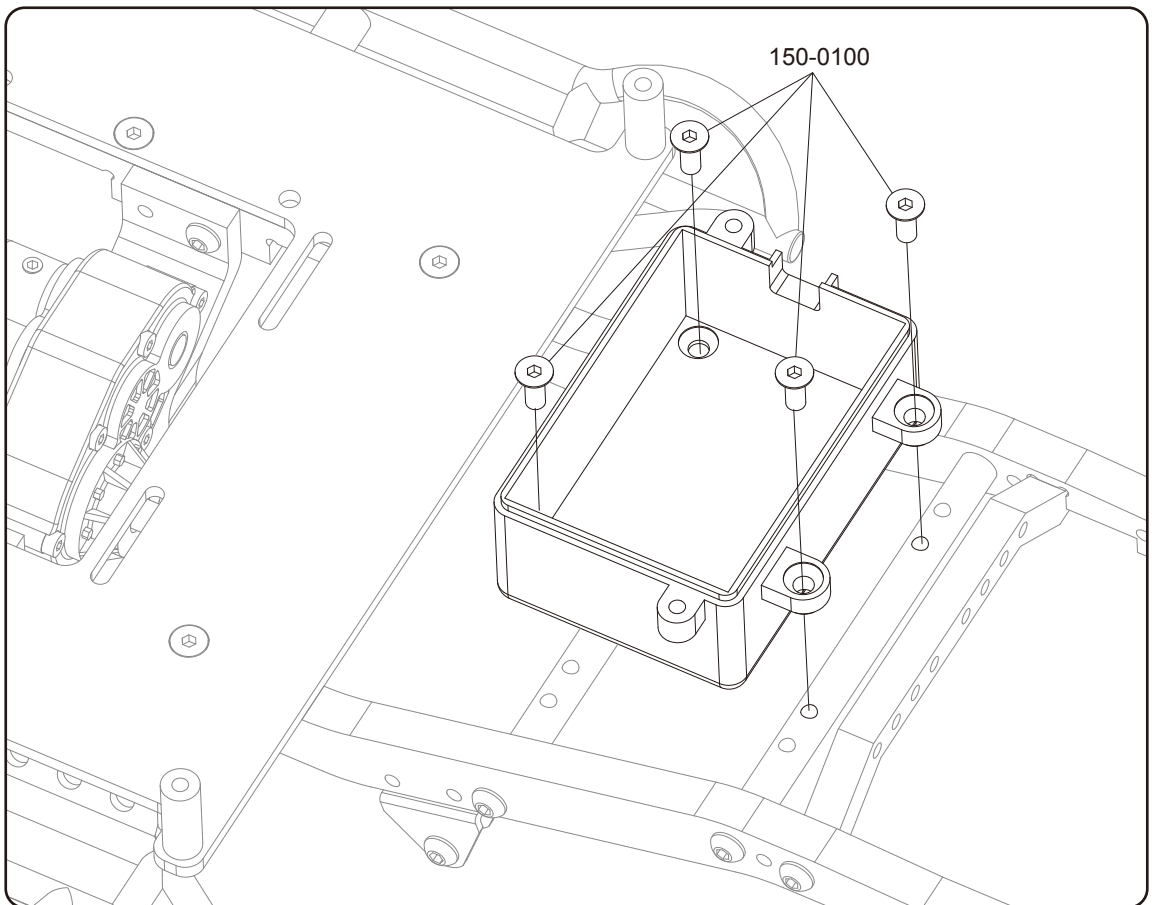
RC4WD
Step 17

 X4
150-0099
M3 x 6mm FHCS




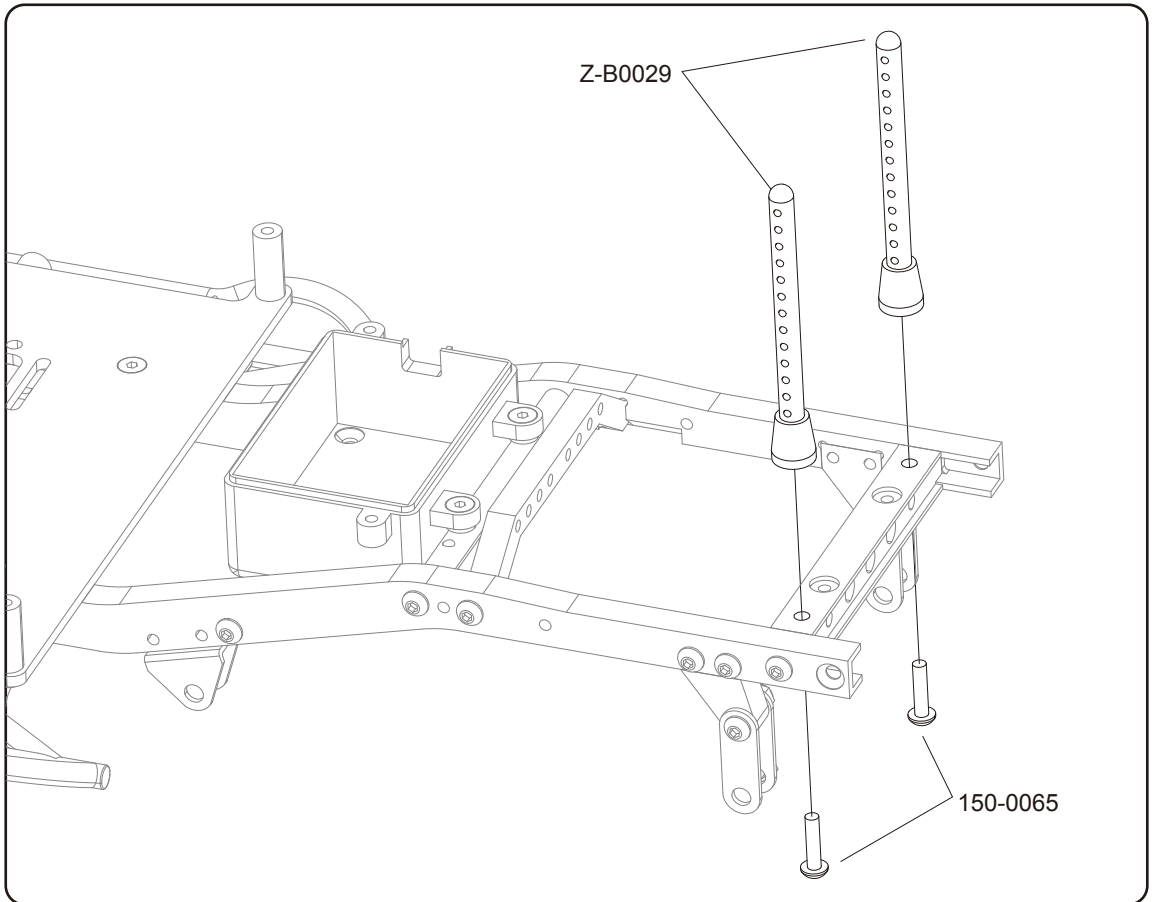
RC4WD
Step 18

 X4
150-0100
M3 x 8mm FHCS



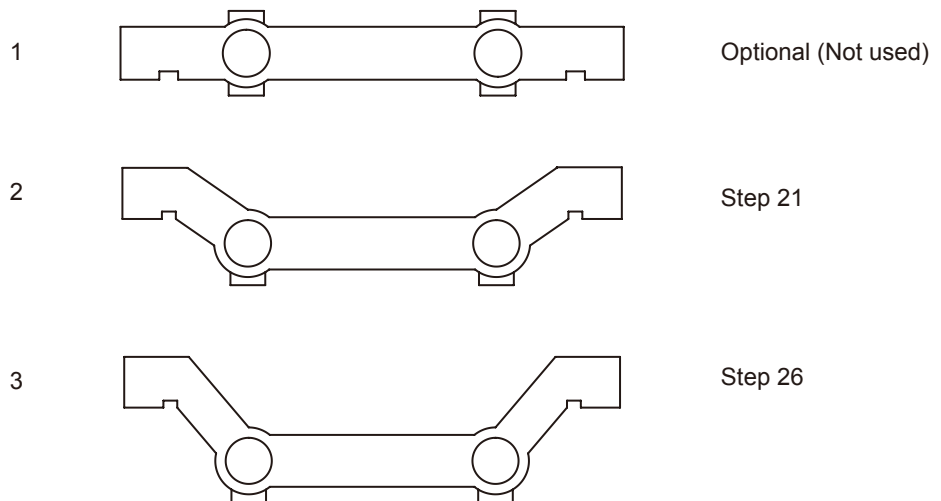
RC4WD
Step 19

 X2
BHSTS
M3 x 14mm



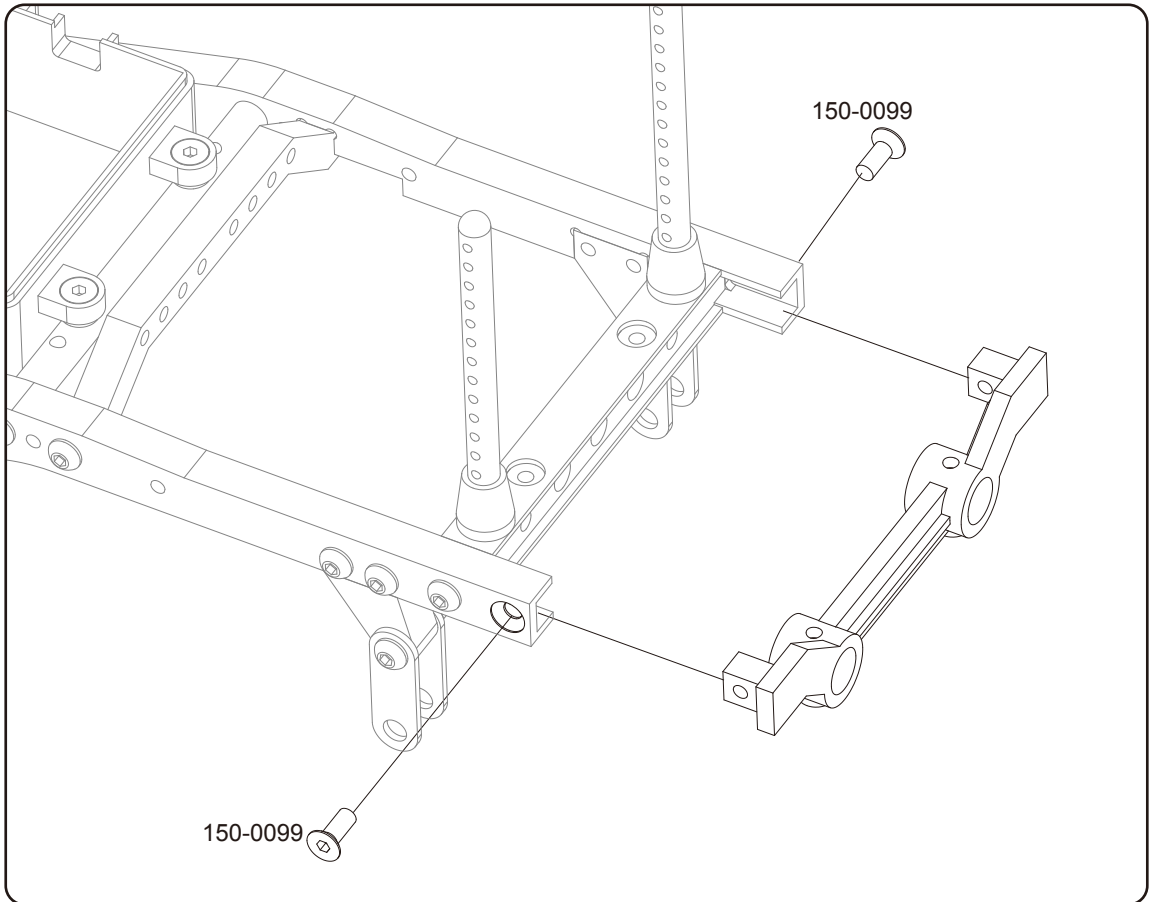
RC4WD
Step 20

Attach bumper
mount 2 on the rear
of the chassis.




RC4WD
Step 21

 X2
150-0099
M3 x 6mm FHCS

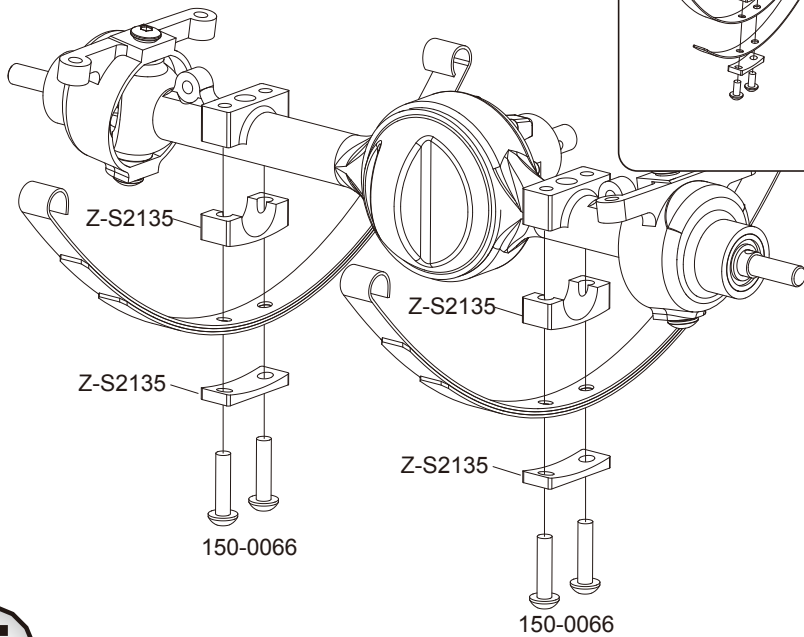
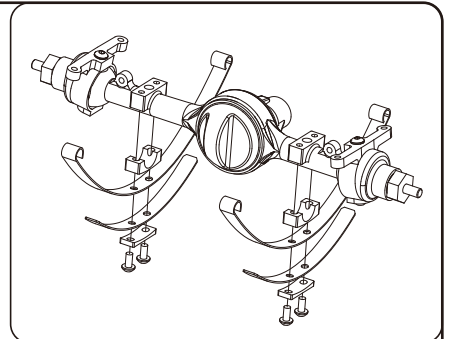


RC4WD
Step 22

 X4
150-0066
M3 x 16mm BHCS

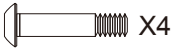


Choose a 2 or 3 leaf spring configuration. Installation method is the same for both.



For alternate leaf over axle configuration install, see pages 26 to 29.

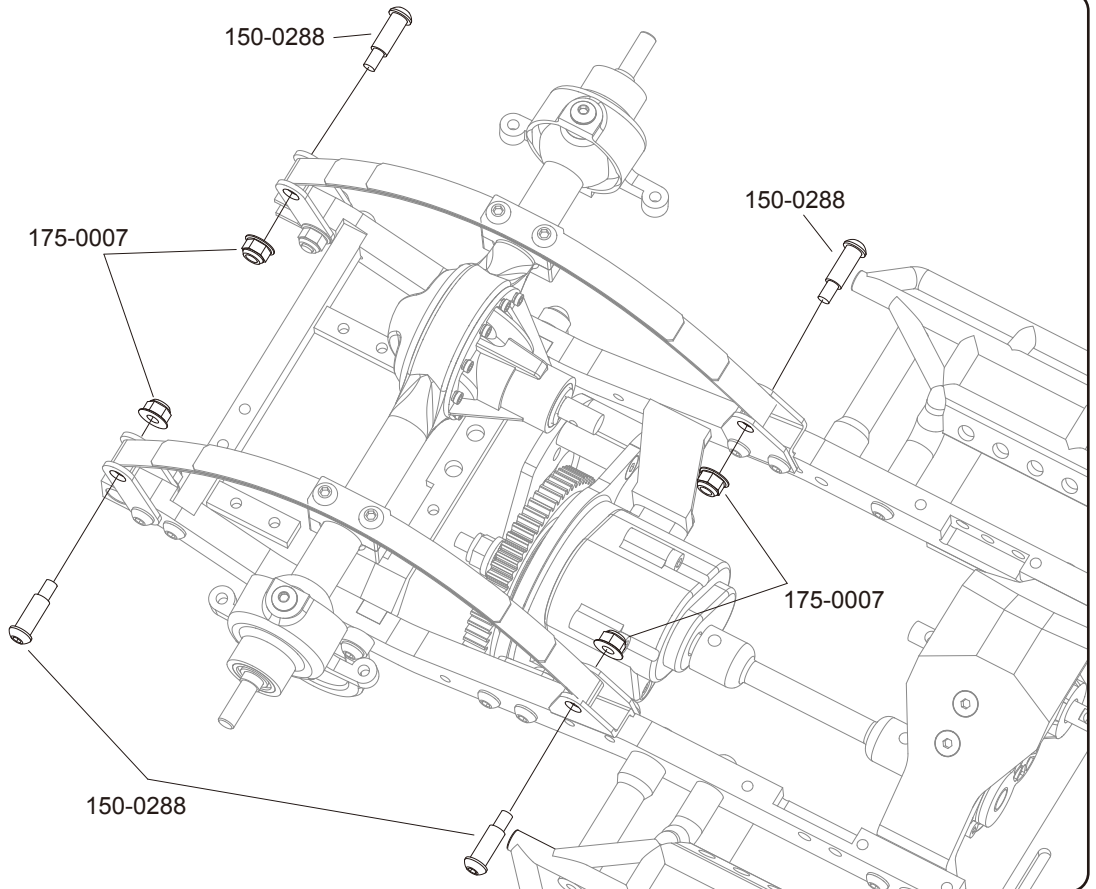
RC4WD
Step 23



X4
150-0288
M3 x 15mm
Shoulder Screw



X4
175-0007
M3 Black Lock Nut



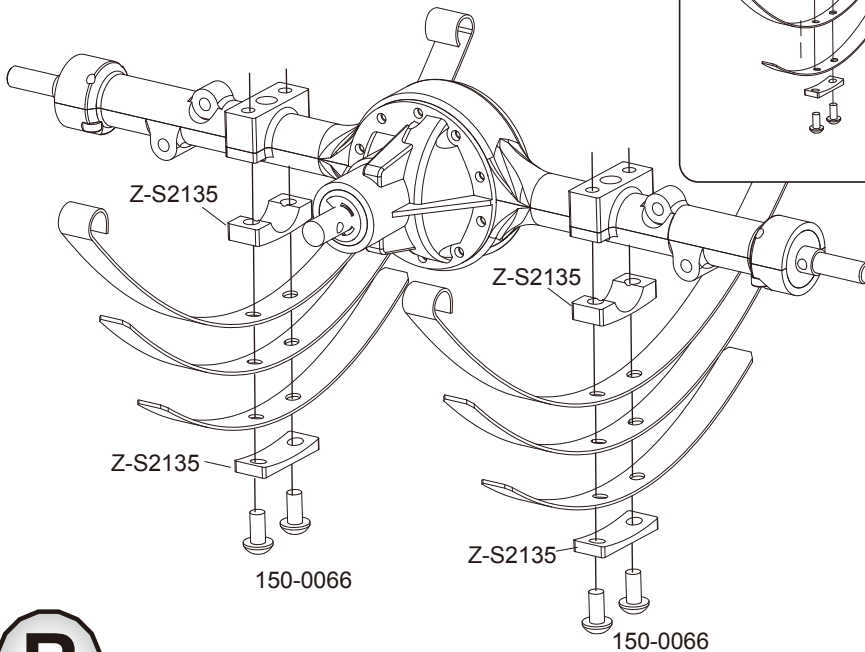
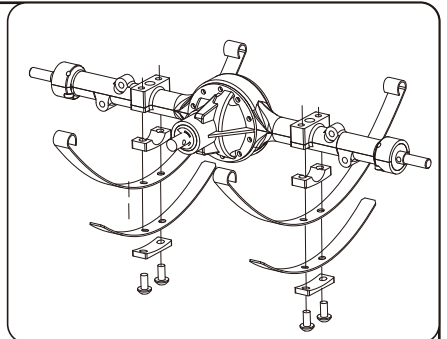
RC4WD
Step 24



X4
150-0066
M3 x 16mm BHCS

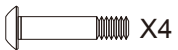



Choose a 2 or 3 leaf spring configuration. Installation method is the same for both.

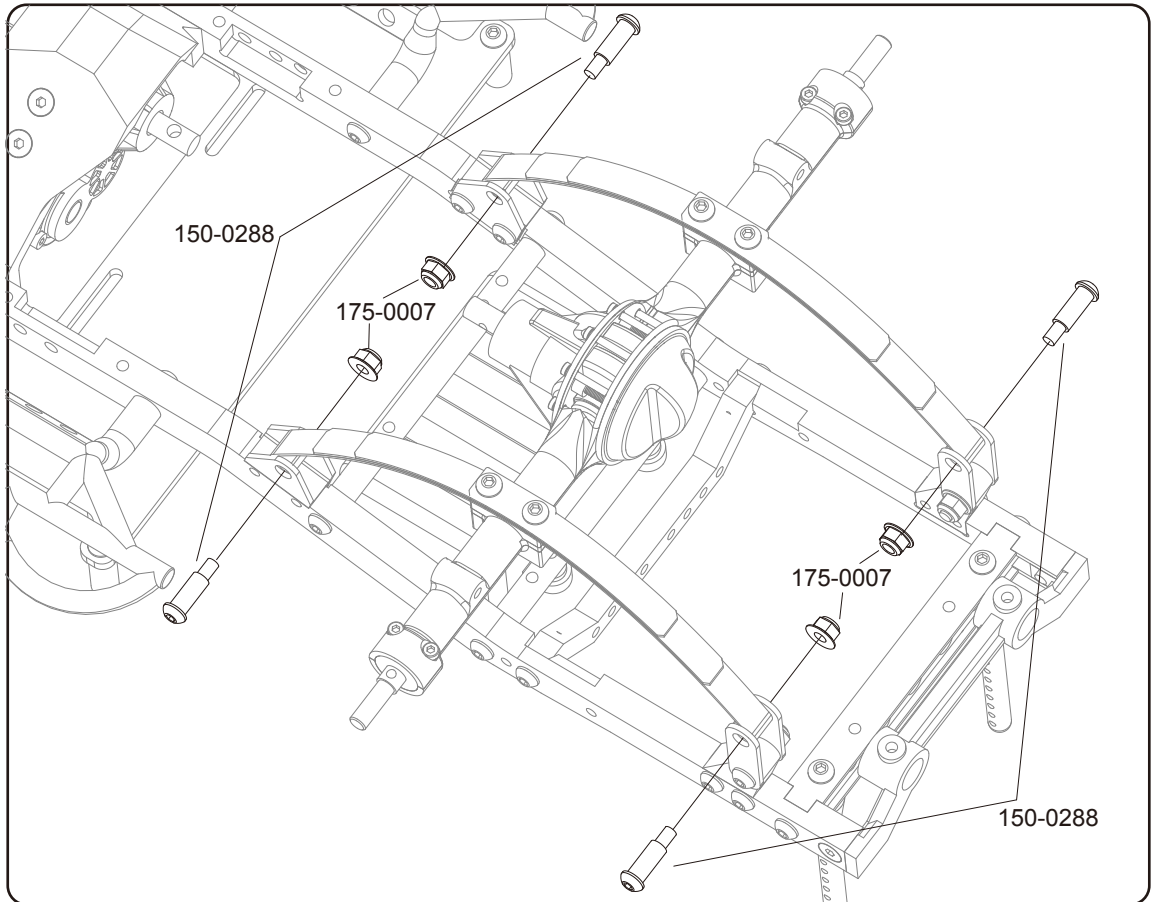


For alternate leaf over axle configuration install, see pages 26 to 29.

RC4WD
Step 25

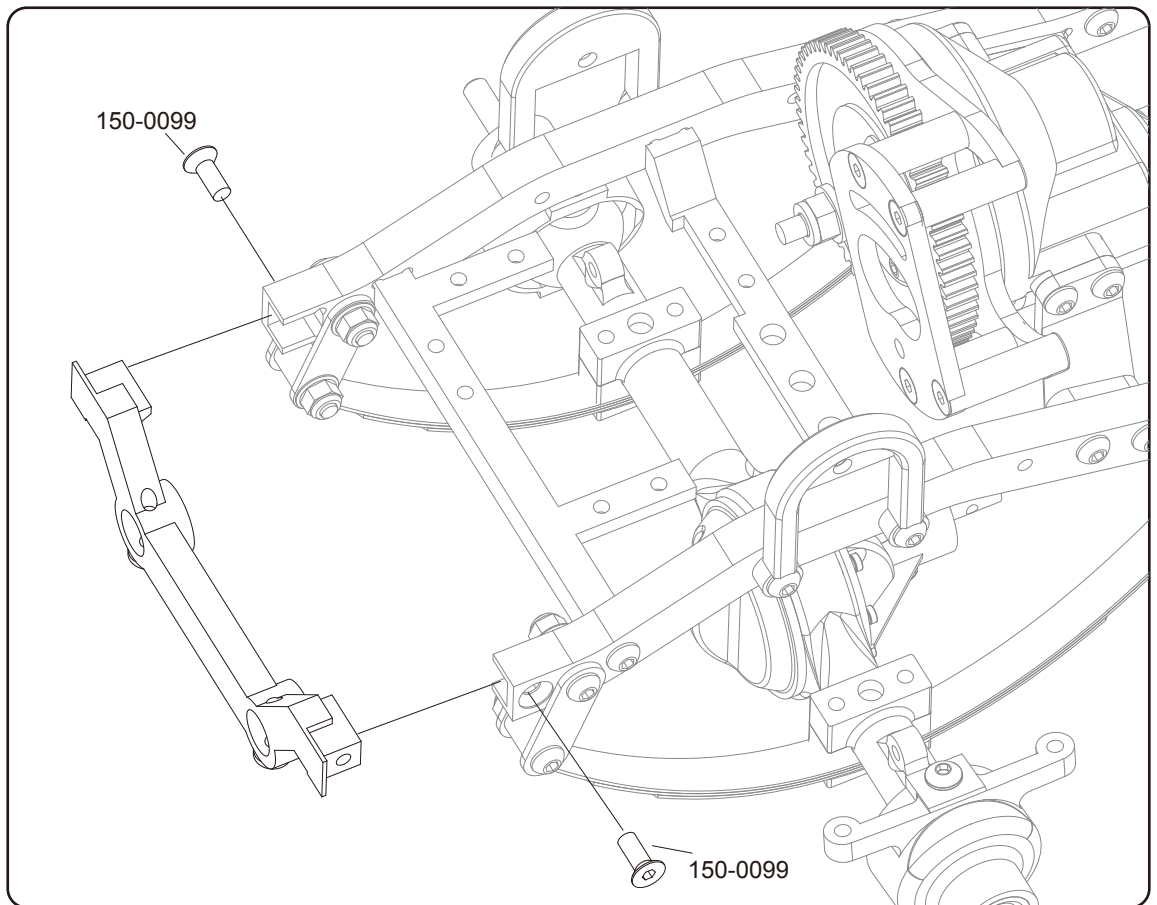
 X4
150-0288
M3 x 15mm
Shoulder Screw

 X4
175-0007
M3 Black Lock Nut




RC4WD
Step 26

 X2
150-0099
M3 x 6mm FHCS

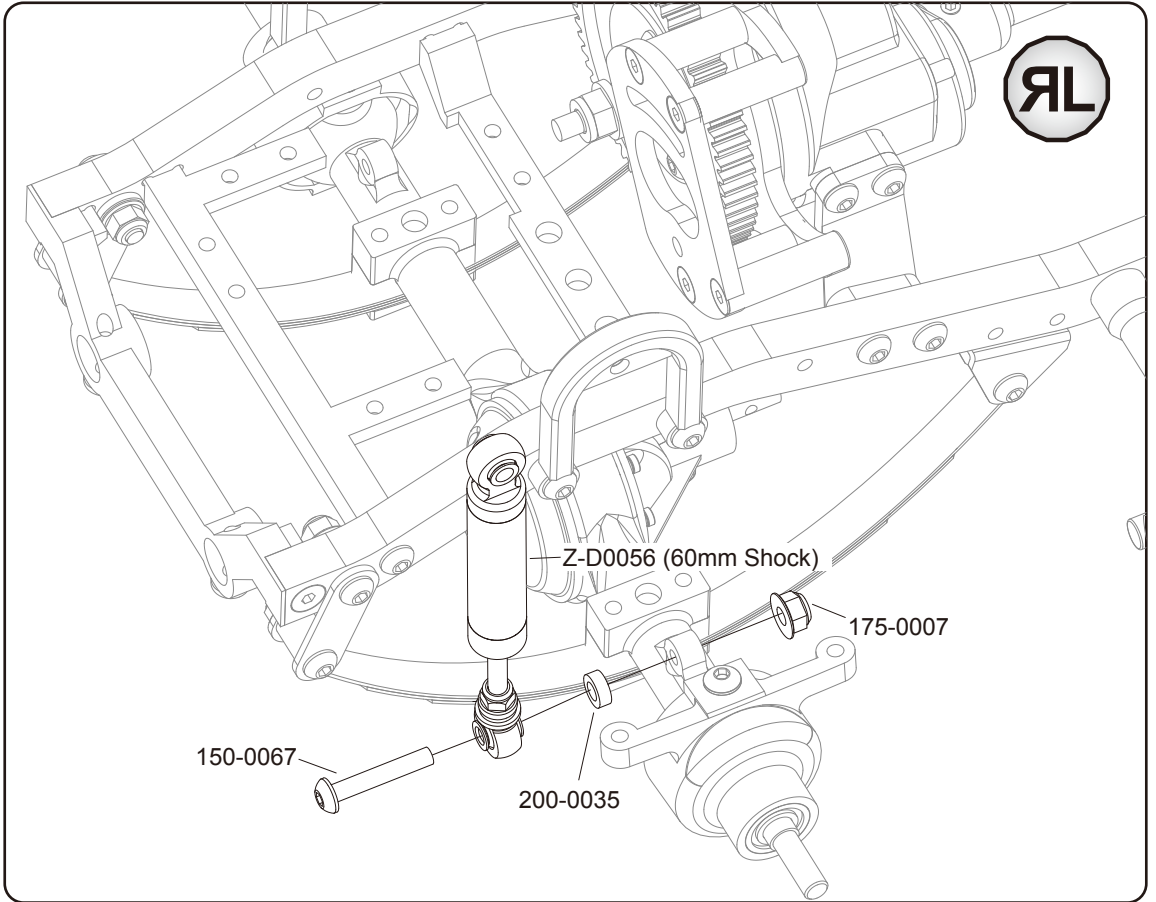


RC4WD
Step 27


 X2
150-0067
M3 x 18mm BHCS

 X2
175-0007
M3 Black Lock Nut

 X2
200-0035
M3 X 2mm Spacer

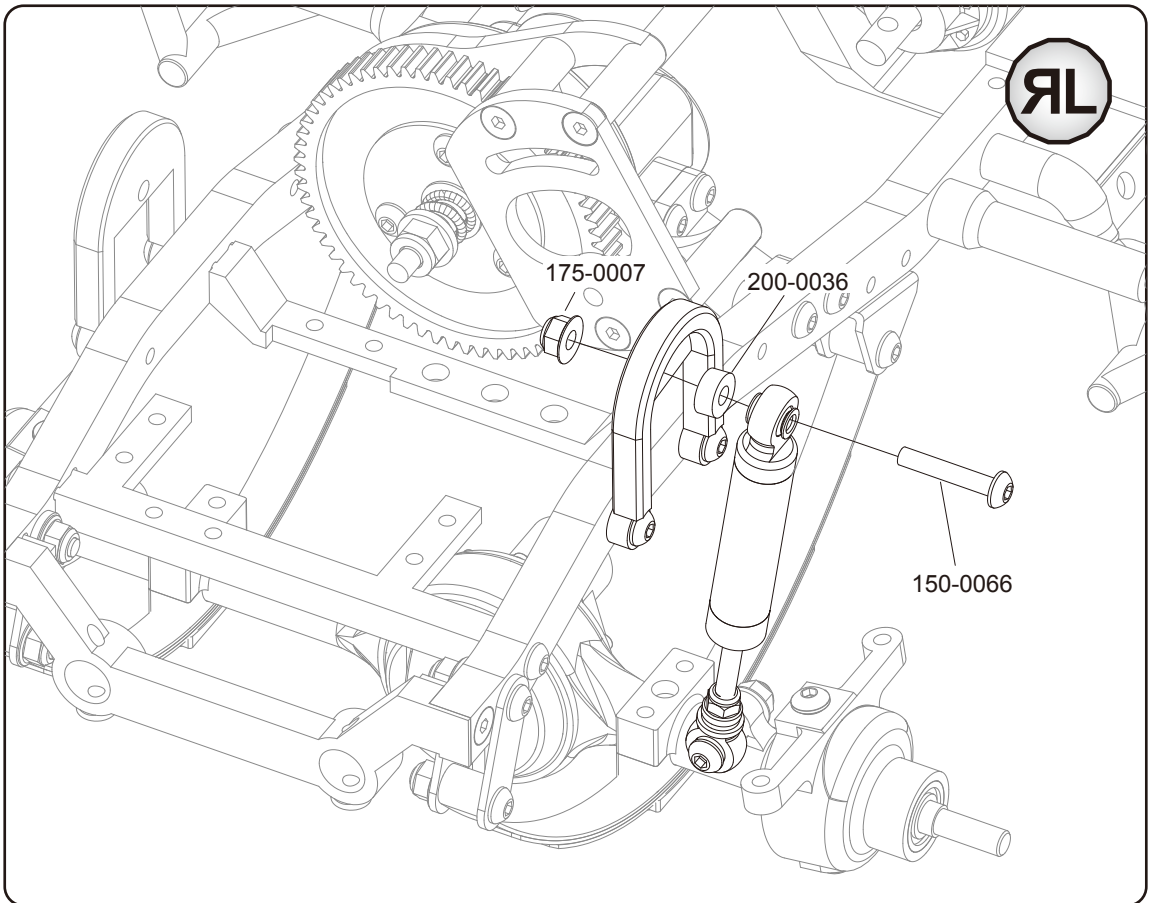


RC4WD
Step 28


 X2
150-0066
M3 x 16mm BHCS


 X2
175-0007
M3 Black Lock Nut

 X2
200-0036
M3 X 3mm Spacer



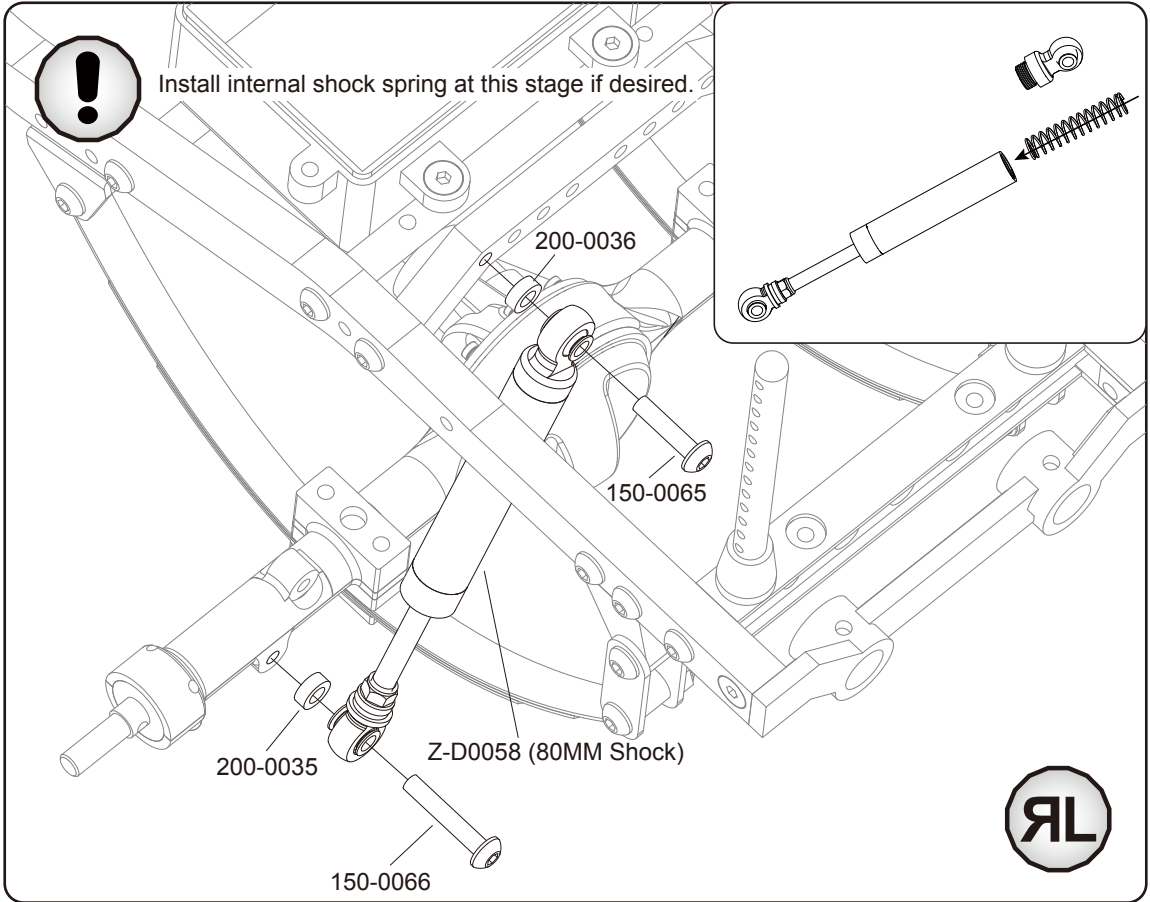
RC4WD
Step 29

 X2
150-0065
M3 x 14mm BHCS


 X2
150-0066
M3 x 16mm BHCS

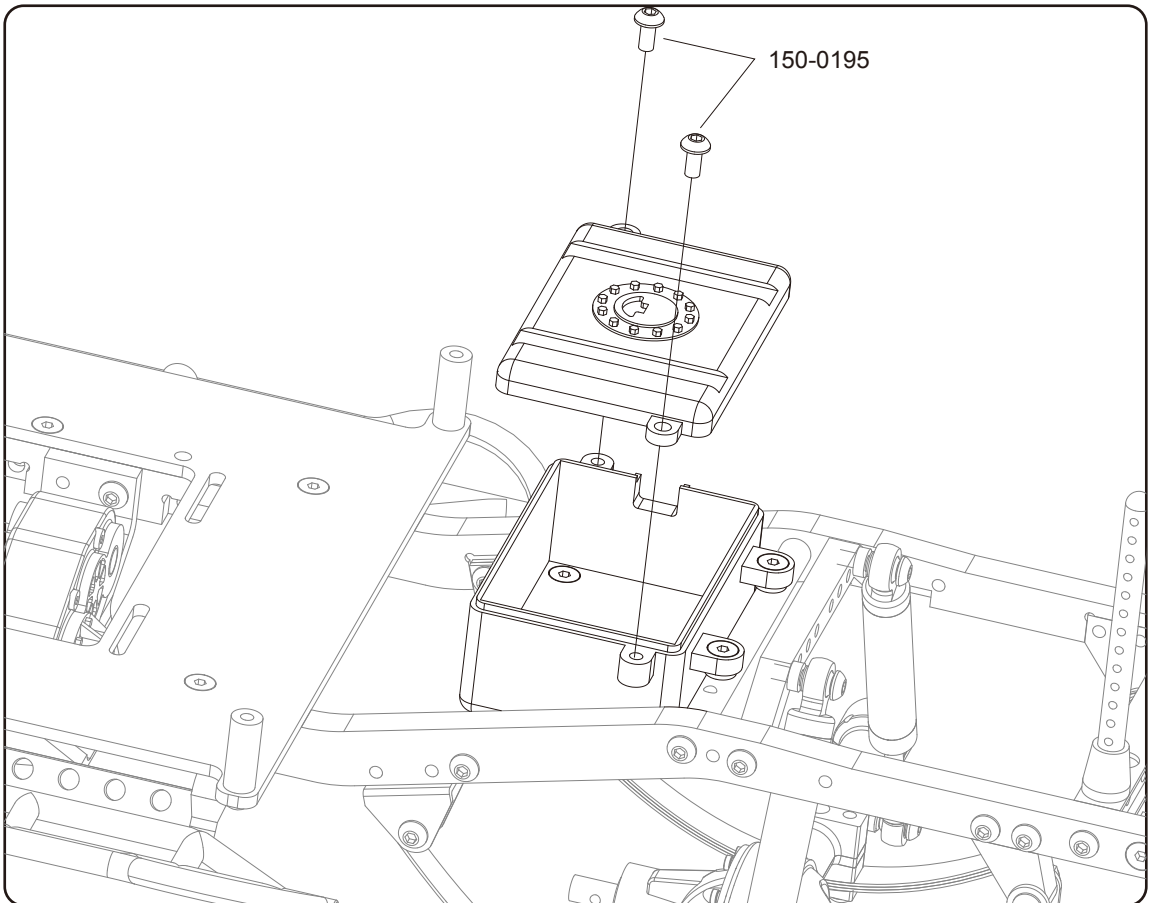
 X2
200-0035
M3 X 2mm Spacer

 X2
200-0036
M3 X 3mm Spacer

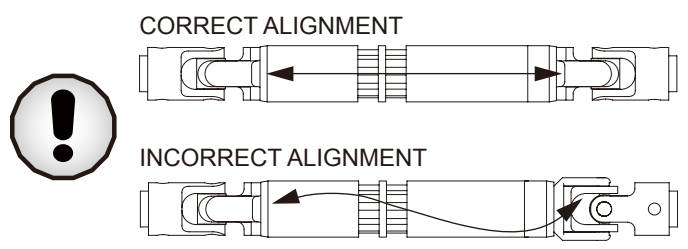
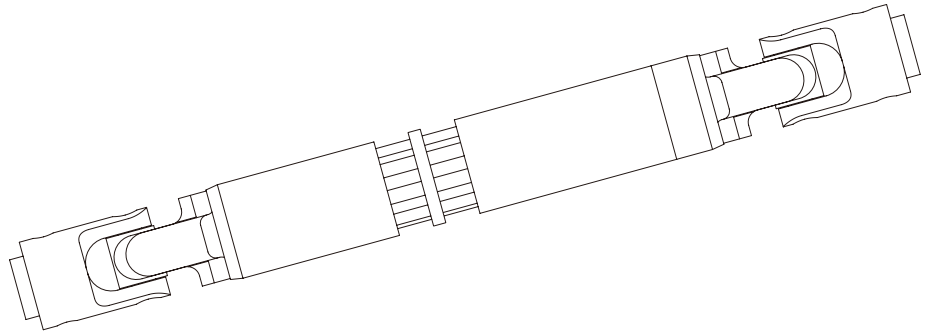


RC4WD
Step 30

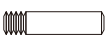
 X2
150-0195
M3 x 8mm BHSTS

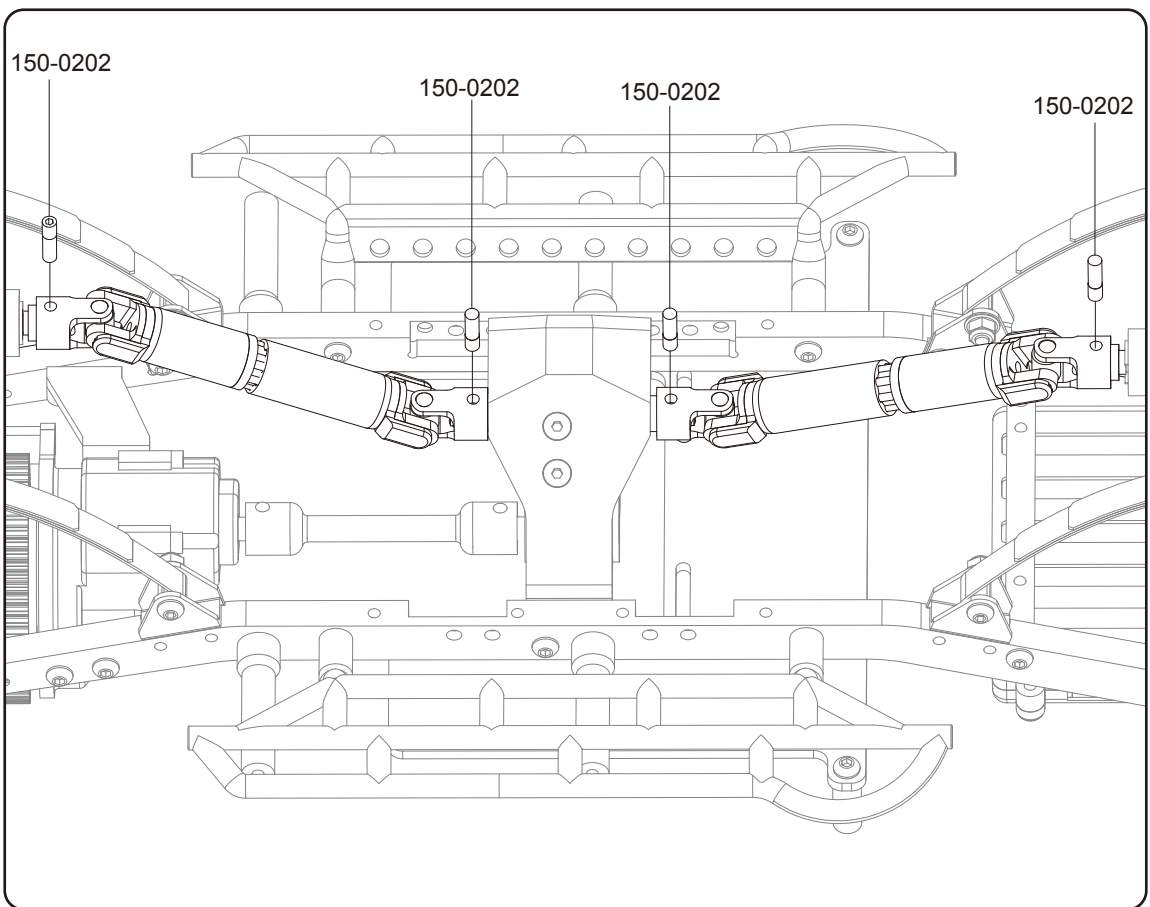


RC4WD
Step 31



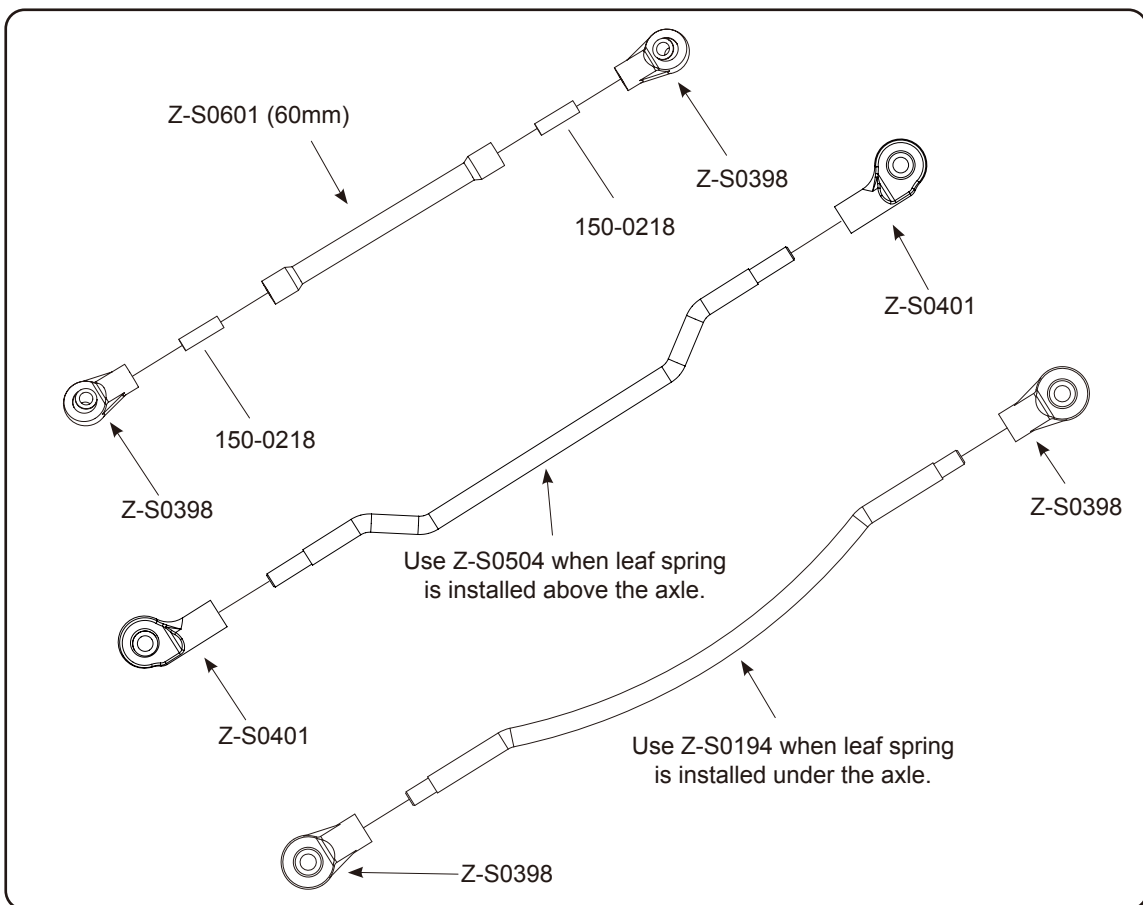
RC4WD
Step 32

-  X4
- 150-0202
- M3 Drive Shaft Pin




RC4WD Step 33

 X2
 150-0218
 M3 x 10mm
 Set Screw

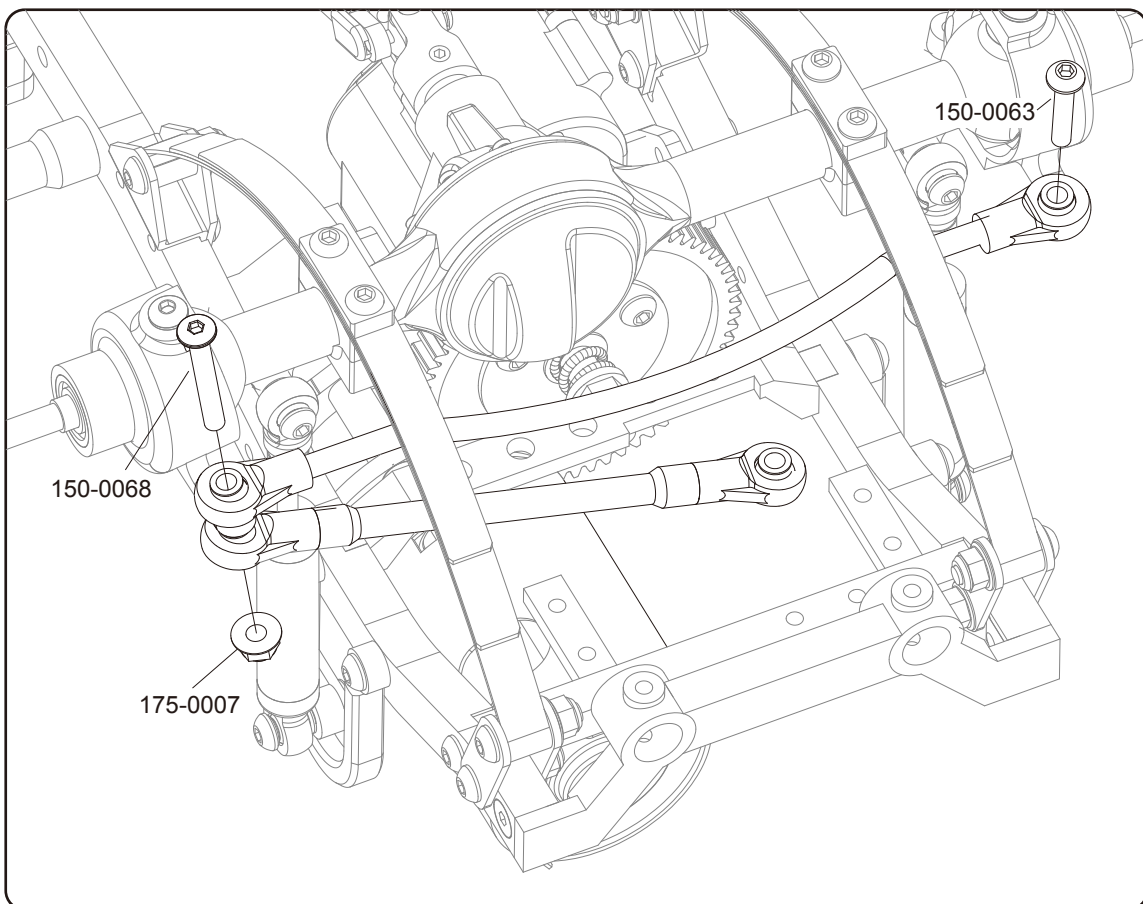


RC4WD Step 34


 X1
 150-0063
 M3 x 10mm BHCS

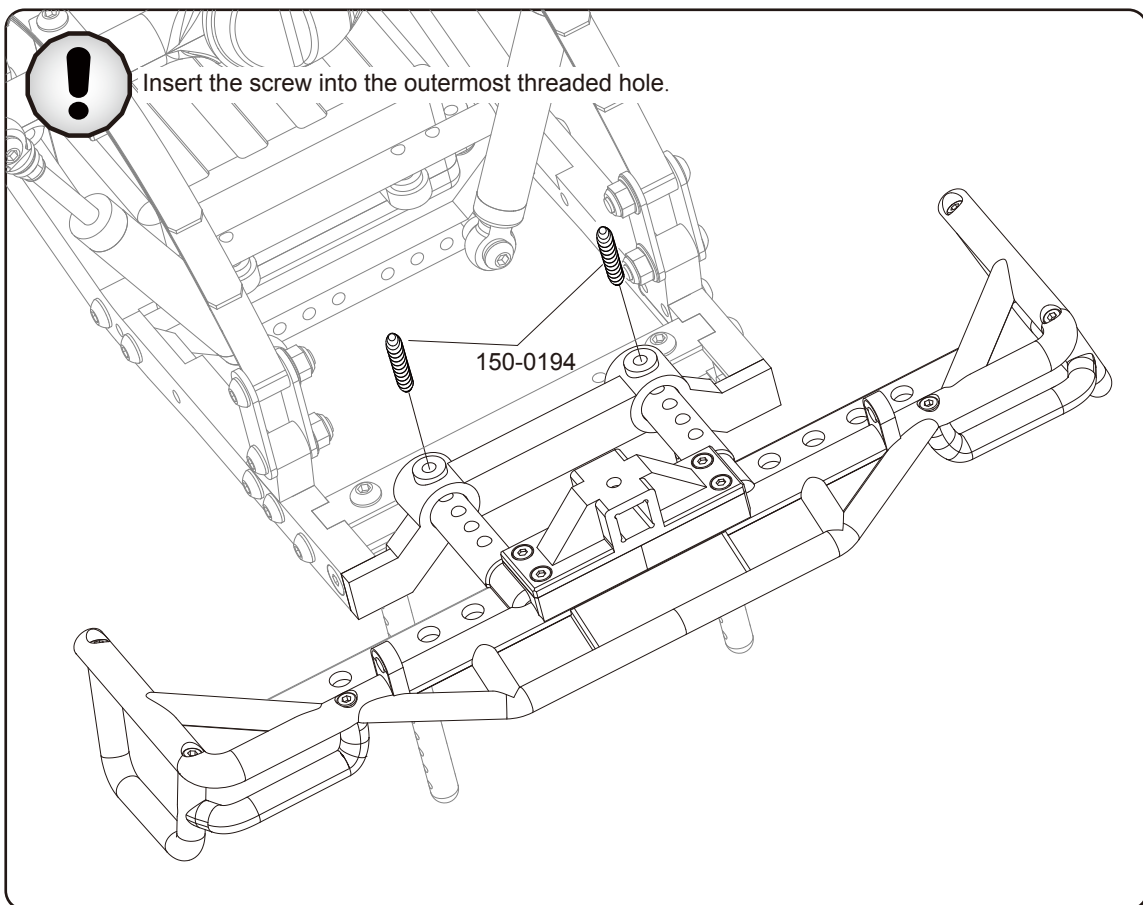
 X1
 150-0068
 M3 x 20mm BHCS

 X1
 175-0007
 M3 Black Lock Nut



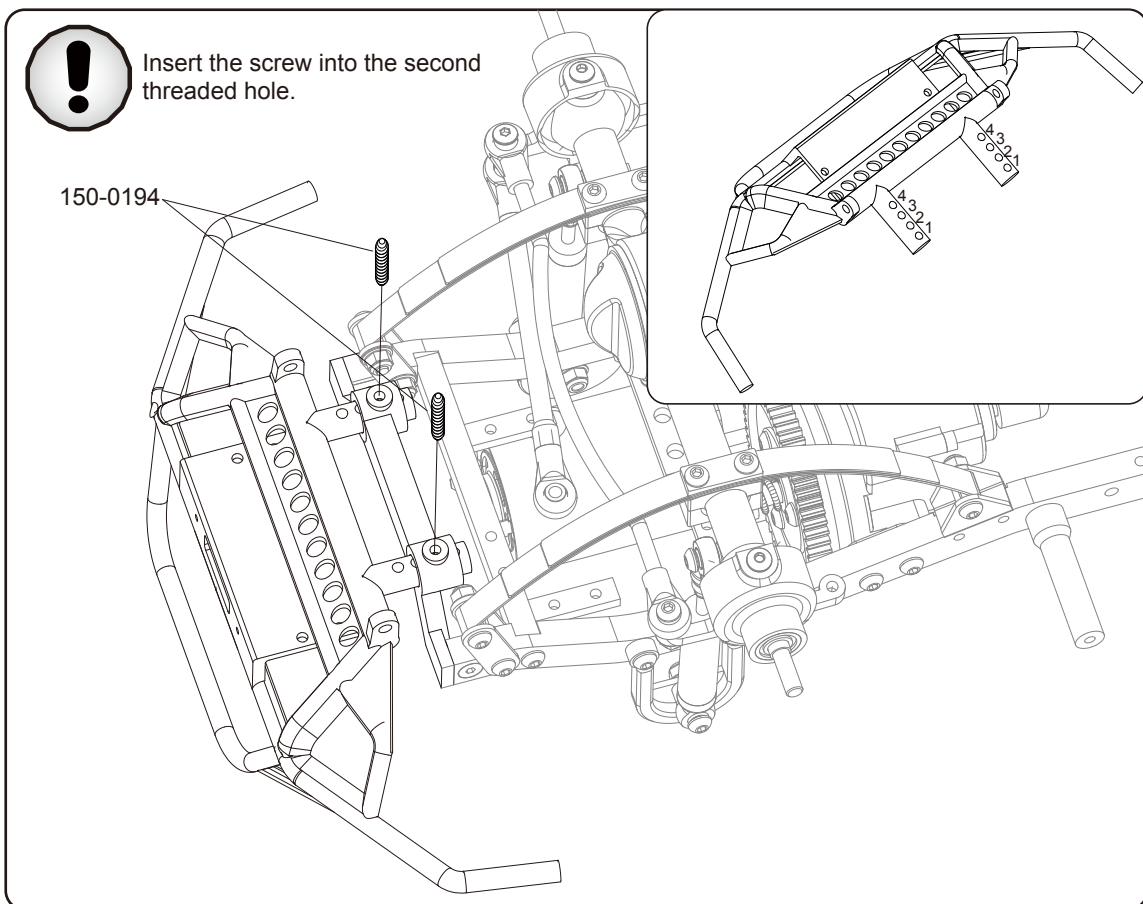
RC4WD
Step 35

 X2
150-0194
M3 x 12mm
Set Screw



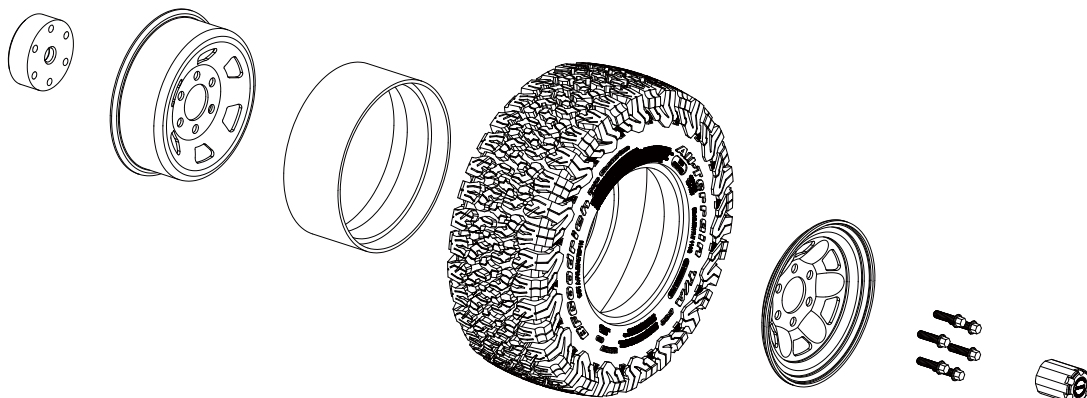
RC4WD
Step 36

 X2
150-0194
M3 x 12mm
Set Screw



RC4WD
Step 37

Wheel disassembly shown.



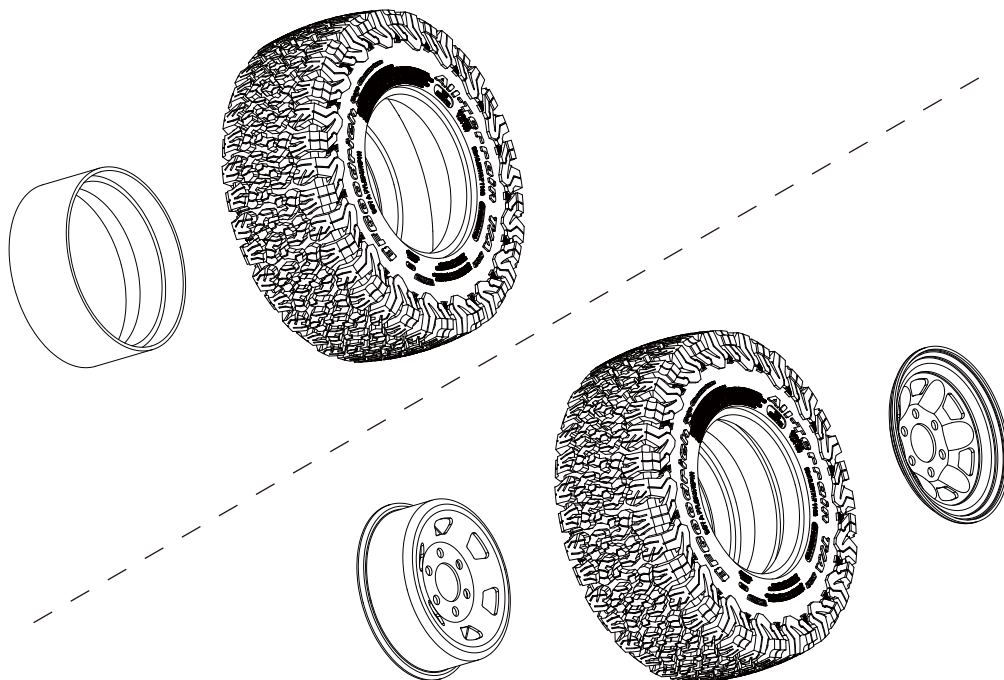
x4



Ensure the front and back wheel spokes align with each other.

RC4WD
Step 38

Insert internal beadlock ring into tire.



x4

Align the spokes, then install front to the back.

RC4WD Step 39

 X2

150-0176

M2.5 x 12mm Hex Bolts

 X16

150-0209

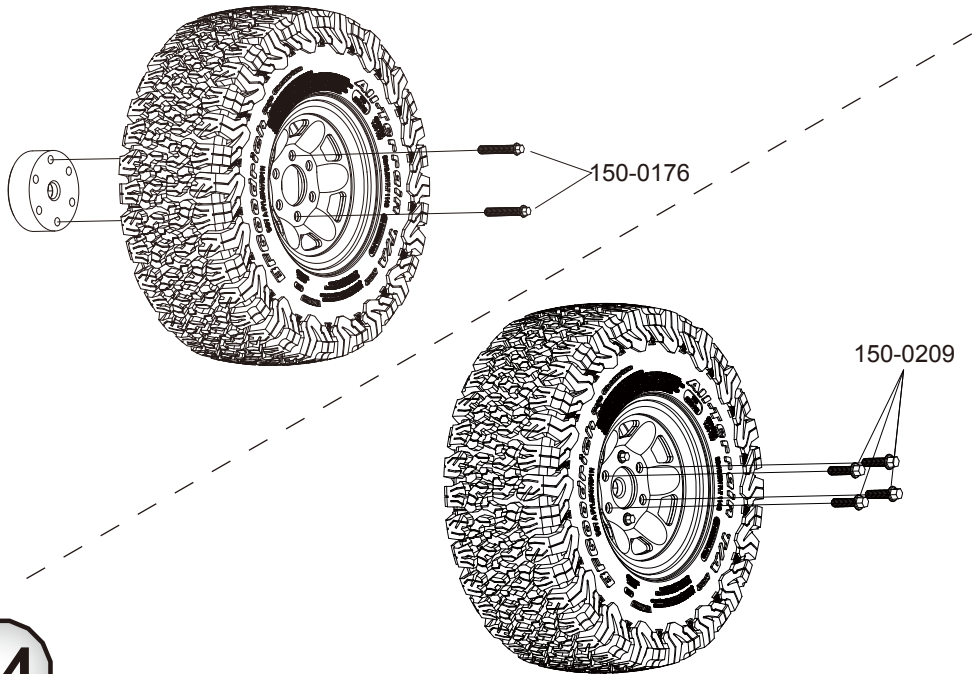
M2.5 x 8mm Hex Bolts

 X1

Z-S0635

Hex Bolt Tool for
M2.5 & M3
Scale Bolts
(2.5 mm Hex)

Use the included longer hardware to help aid in tire and wheel installation. Be sure to slowly tighten the nuts on the longer hardware until you are able to begin installing the included shorter hardware.



x4

Install the correct shorter length hardware into the remaining holes.

RC4WD Step 40

 X2

150-0176

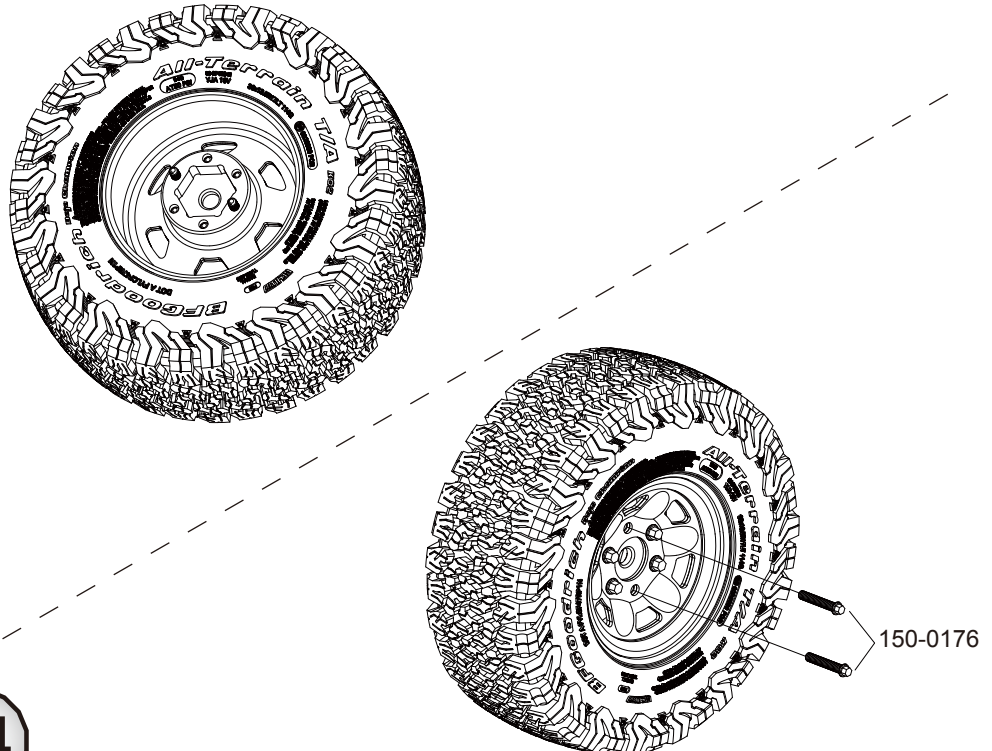
M2.5 x 12mm Hex Bolts

 X1

Z-S0635

Hex Bolt Tool for
M2.5 & M3
Scale Bolts
(2.5 mm Hex)

To ensure proper assembly, see example below.



x4

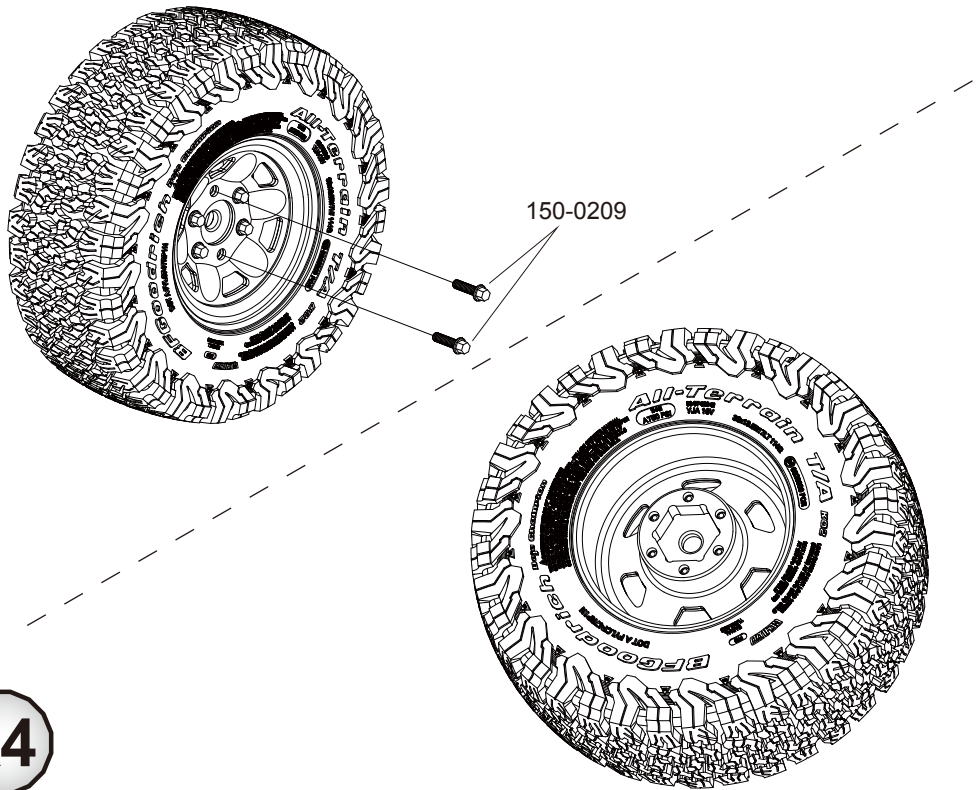
Remove the longer hardware.

RC4WD
Step 41

 X8
150-0209
M2.5 x 8mm Hex Bolts

 X1
Z-S0635
Hex Bolt Tool for
M2.5 & M3
Scale Bolts
(2.5 mm Hex)

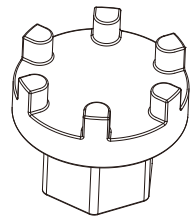
Install the correct shorter hardware.



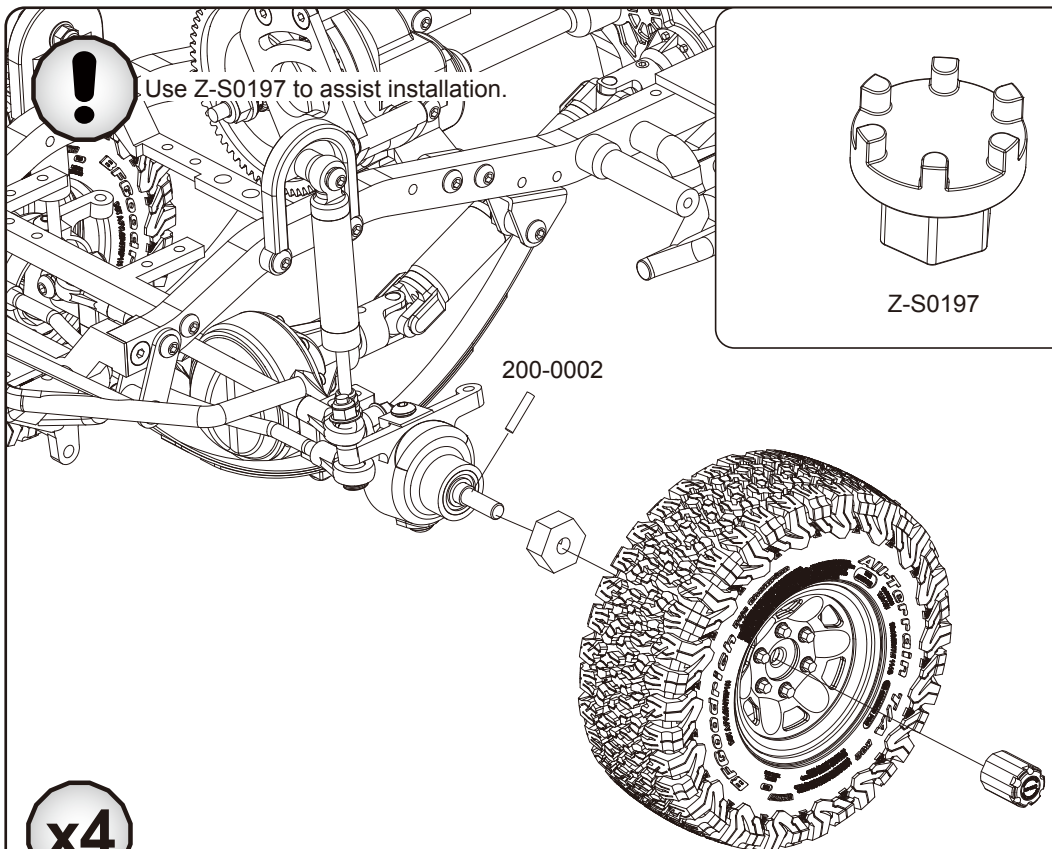
RC4WD
Step 42

 X4
200-0002
M2 X 10mm
Axle Pin

 Use Z-S0197 to assist installation.

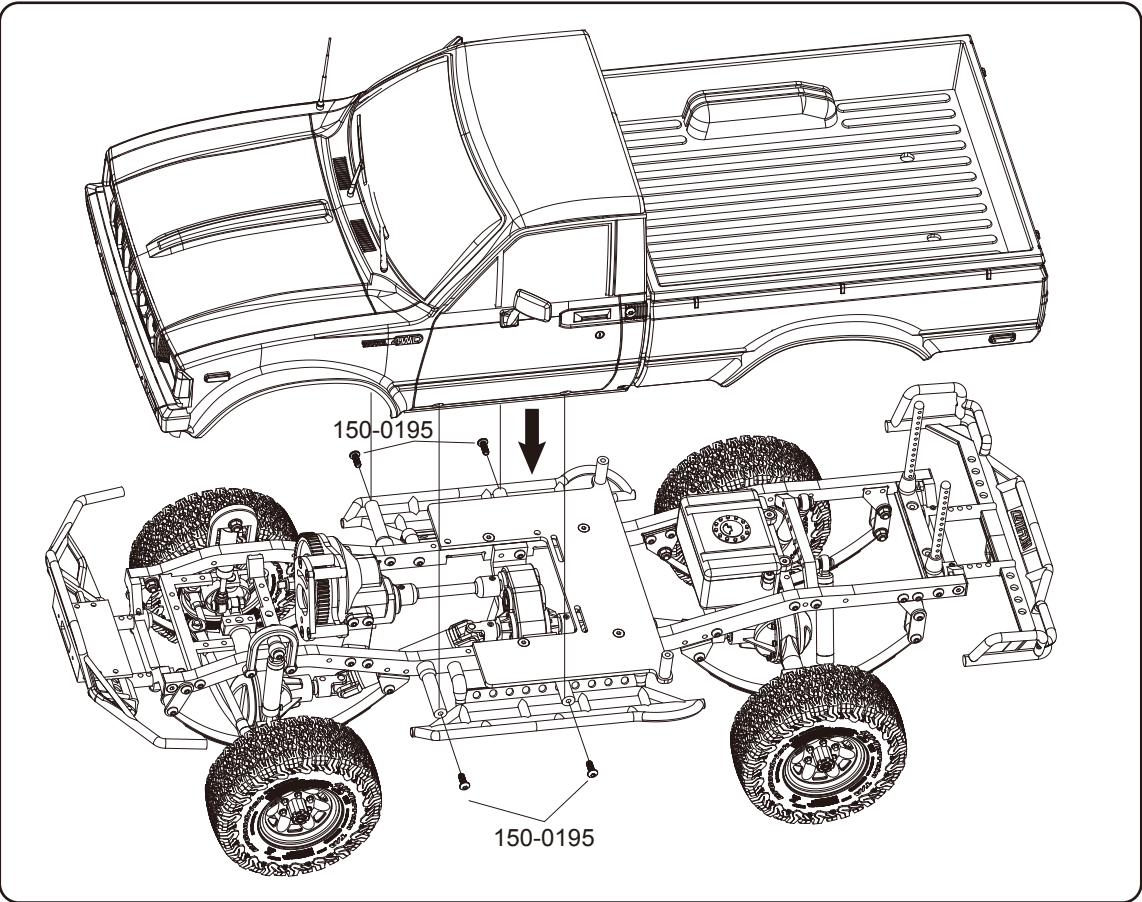


Z-S0197



RC4WD
Step 43

 X4
150-0195
M3 x 8mm BHSTS



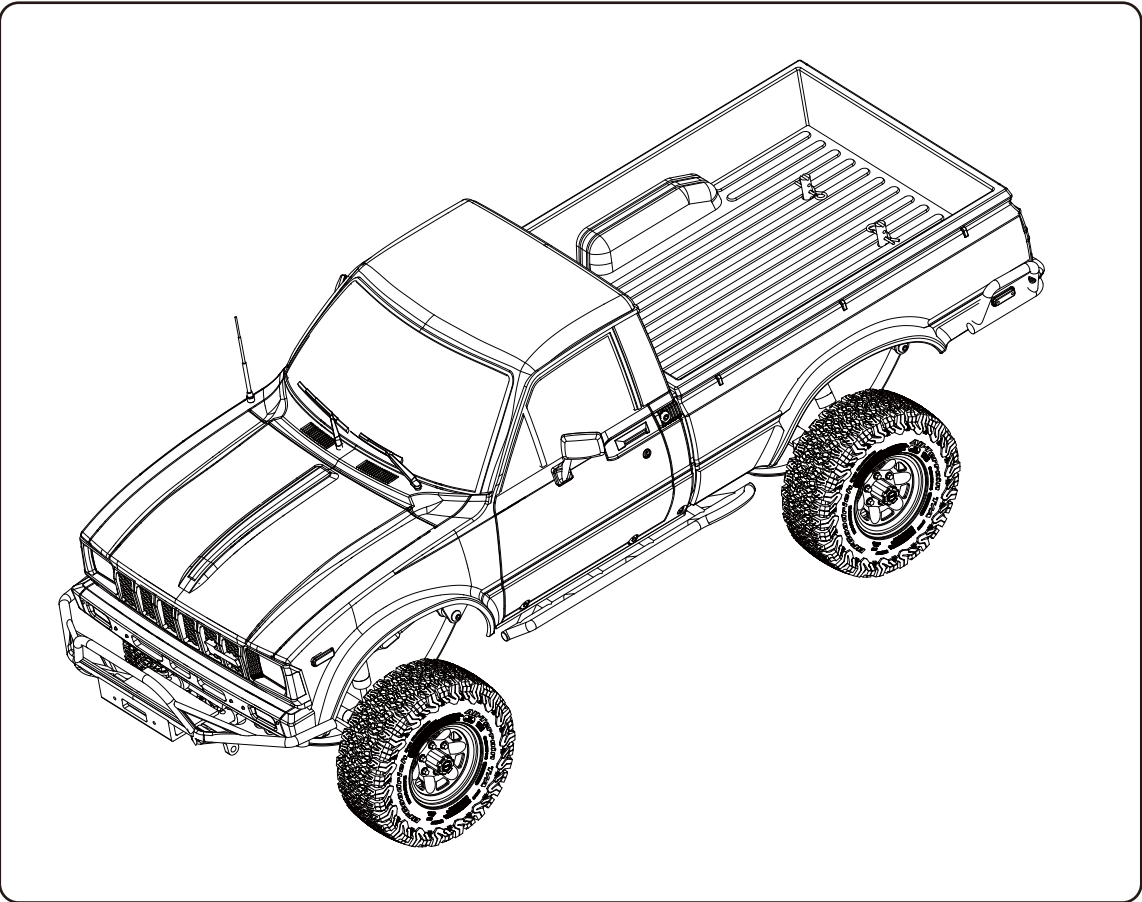
RC4WD
Step 44

Installation Complete.

Instalación completada.

Installation terminée.

Installation abgeschlossen




* Leaf Over Axle Installation Instructions, for Leaf Over Conversion instructions scan QR Code on page (Page 36).
 If you want to change the direction of the axle housing, please refer to steps A to K.

RC4WD
Optional Steps

Install the leaf spring to the upper part of the axle.

Instale la ballesta en la parte superior del eje.
 Installez le ressort à lames sur la partie supérieure de l'essieu.
 Montieren Sie die Blattfeder am oberen Teil der Achse.

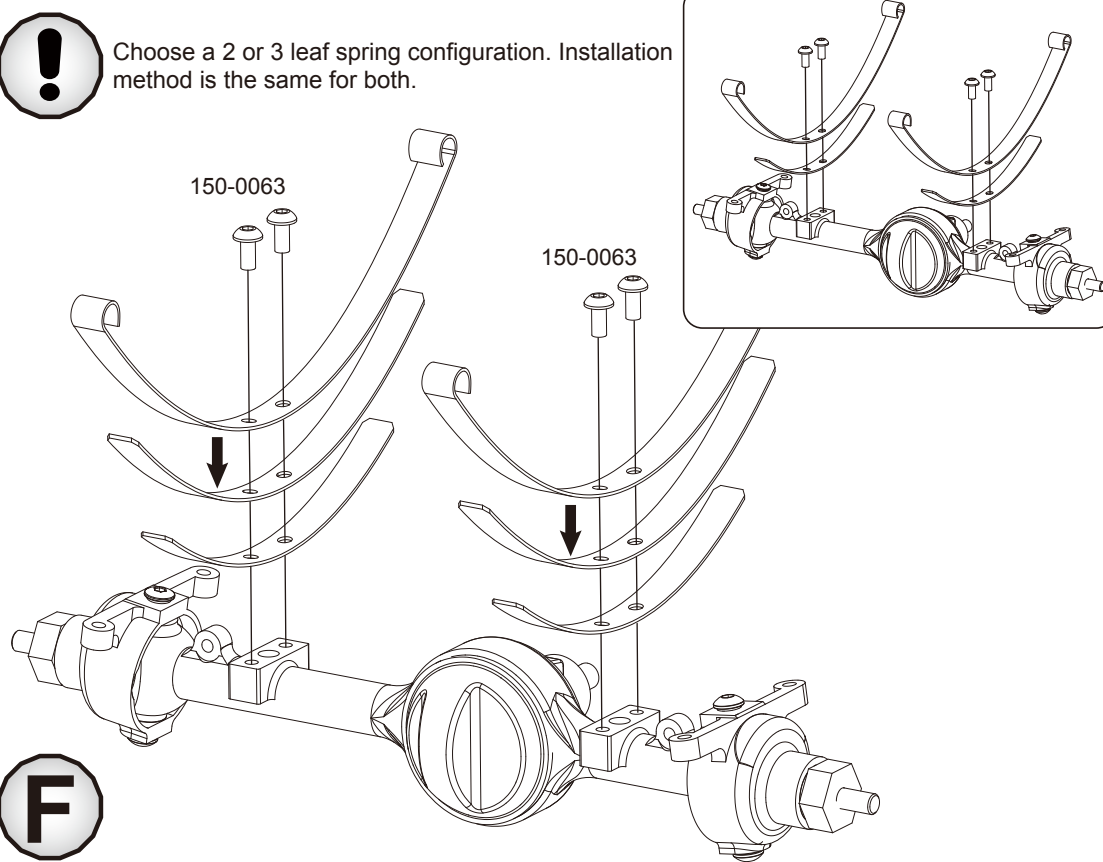
 X4
 150-0063
 M3 x 10mm BHCS

! Choose a 2 or 3 leaf spring configuration. Installation method is the same for both.

150-0063

150-0063


F



RC4WD
Optional Steps

Install the leaf spring to the upper part of the axle.

Instale la ballesta en la parte superior del eje.
 Installez le ressort à lames sur la partie supérieure de l'essieu.
 Montieren Sie die Blattfeder am oberen Teil der Achse.

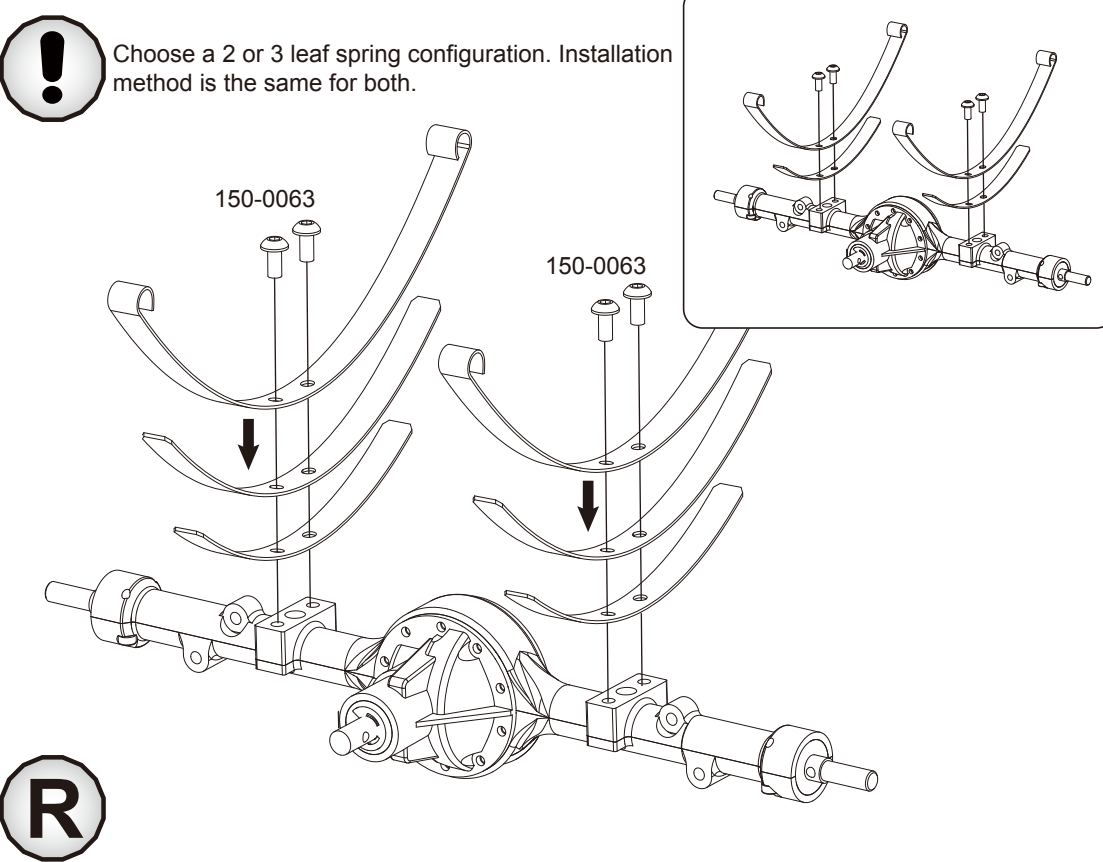
 X4
 150-0063
 M3 x 10mm BHCS

! Choose a 2 or 3 leaf spring configuration. Installation method is the same for both.

150-0063

150-0063

R




RC4WD

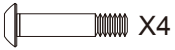
Optional Steps

Installing the Axle.

Instalación del eje.

Installation de l'essieu.

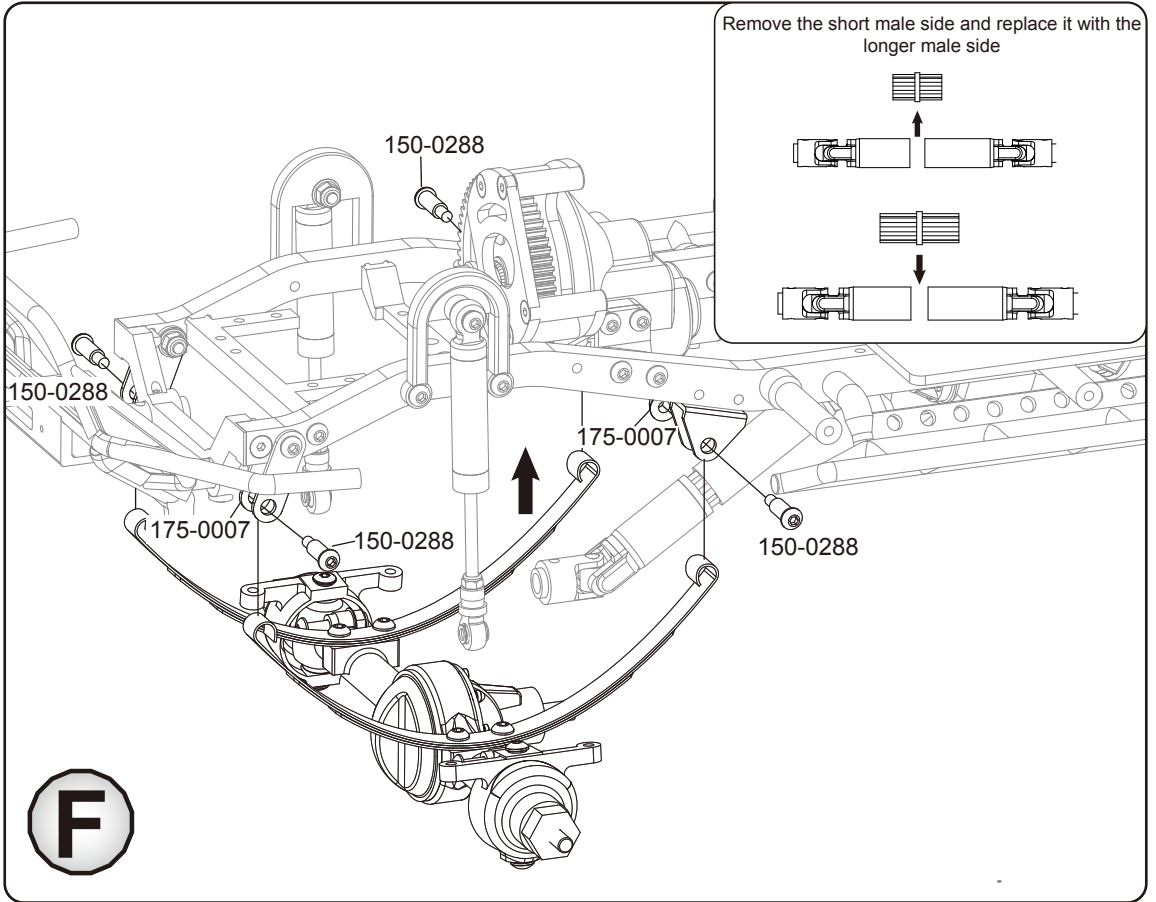
Einbau der Achse.



X4
150-0288
M3 x 15mm
Shoulder Screw



X4
175-0007
M3 Black Lock Nut



RC4WD

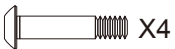
Optional Steps

Installing the Axle.

Instalación del eje.

Installation de l'essieu.

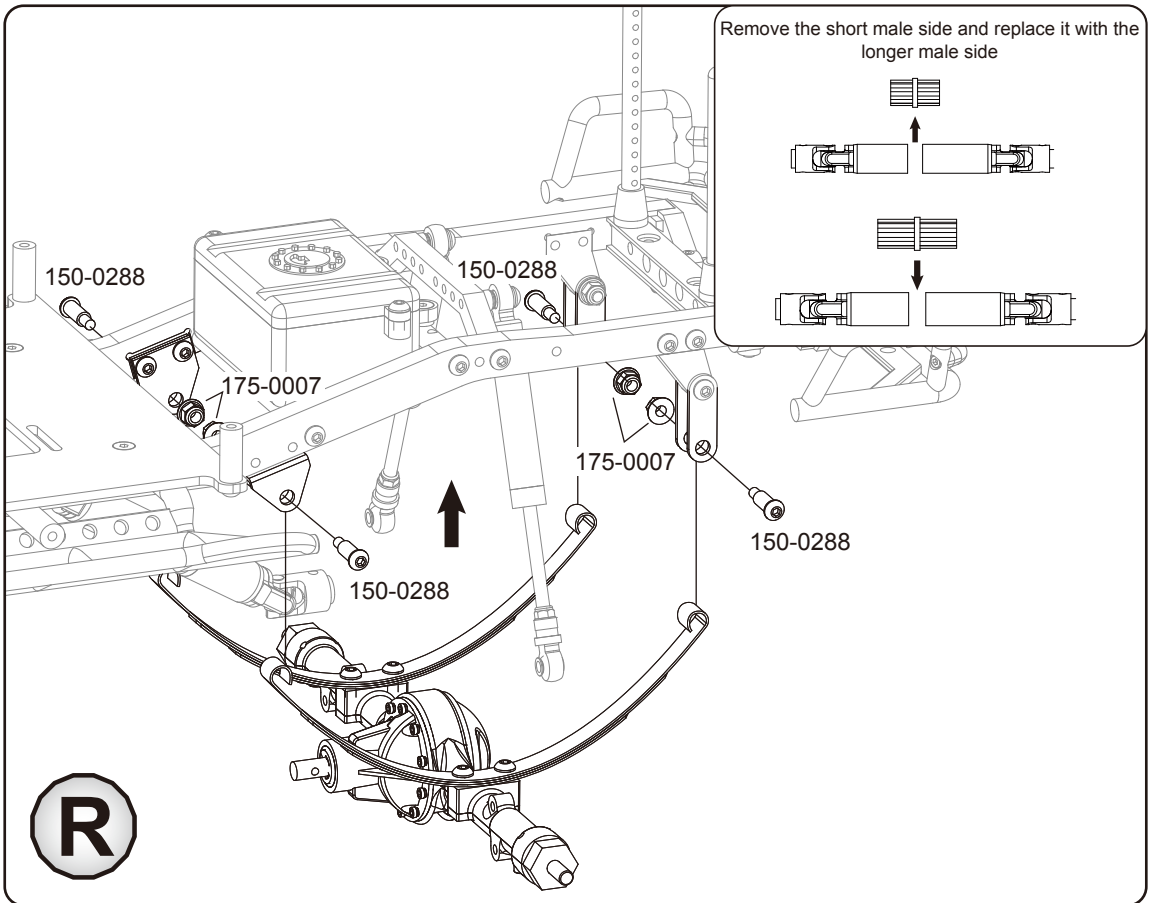
Einbau der Achse.



X4
150-0288
M3 x 15mm
Shoulder Screw



X4
175-0007
M3 Black Lock Nut



RC4WD

Optional Steps

Install rear shock absorbers.

Instale amortiguadores traseros.

Installez les amortisseurs arrière.

Hintere Stoßdämpfer einbauen.



X2

150-0066

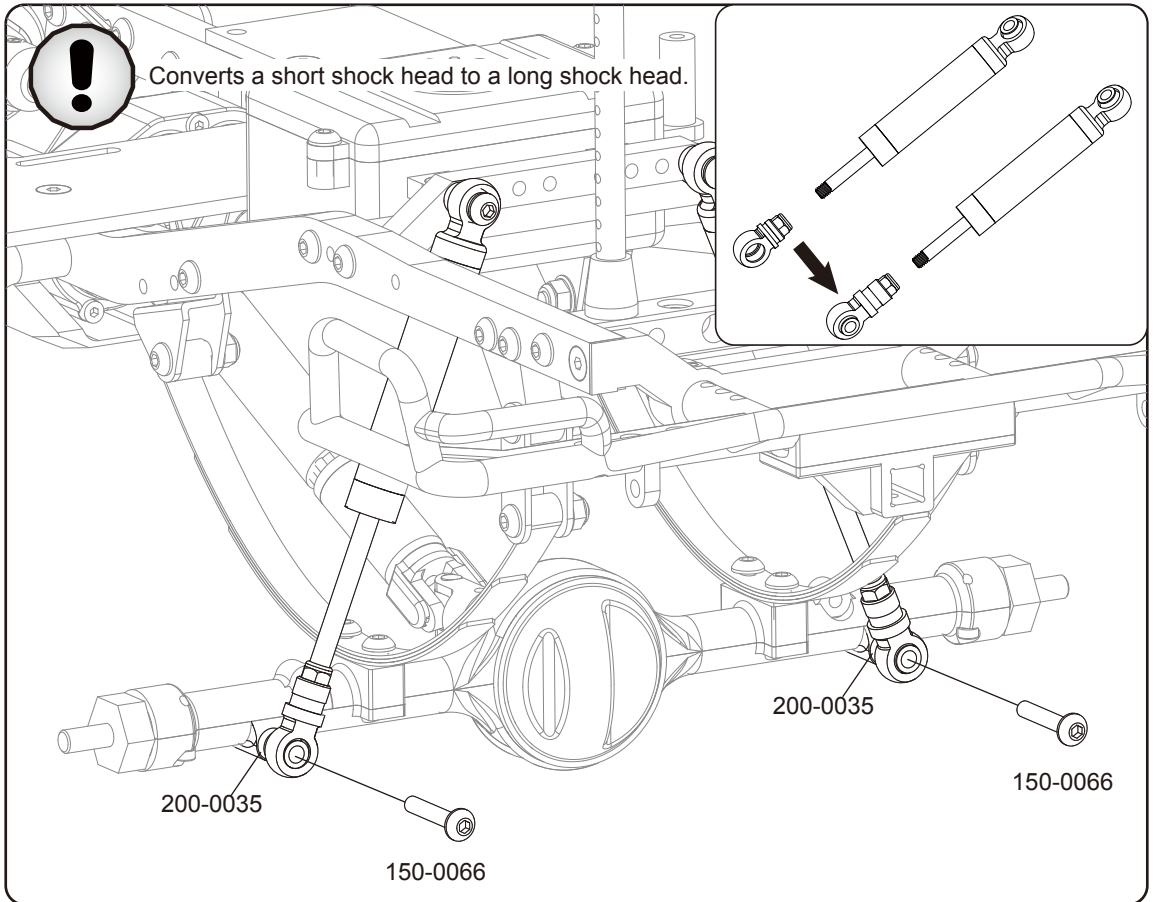
M3 x 16mm BHCS



X2

200-0035

M3 X 2mm Spacer



RC4WD

Optional Steps

Install front shock absorbers and install connecting rods.

Instale amortiguadores delanteros e instale bielias.

Installez les amortisseurs avant et installez les bielias.

Vordere Stoßdämpfer einbauen und Pleuel einbauen.



X1

150-0063

M3 x 10mm BHCS



X2

150-0067

M3 x 18mm BHCS



X2

175-0007

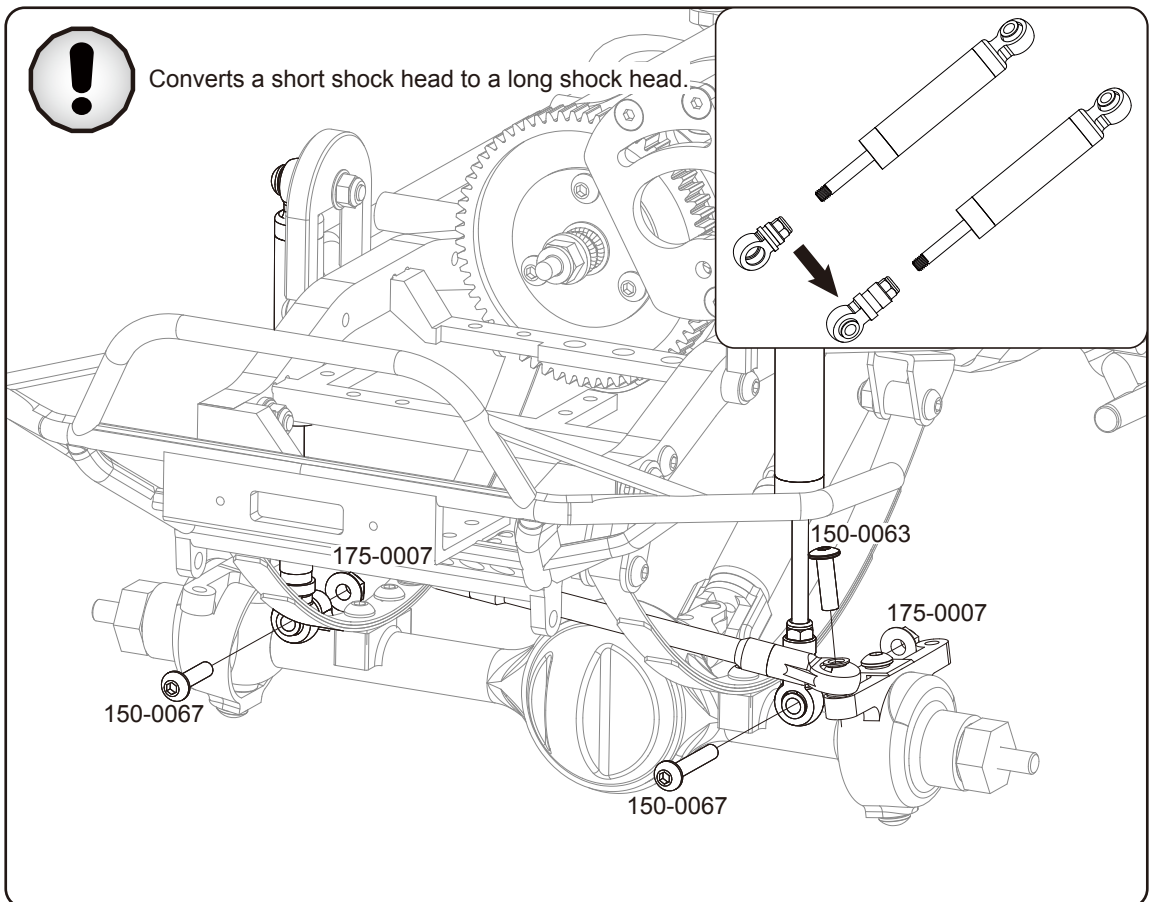
M3 Black Lock Nut



X2

200-0035

M3 X 2mm Spacer



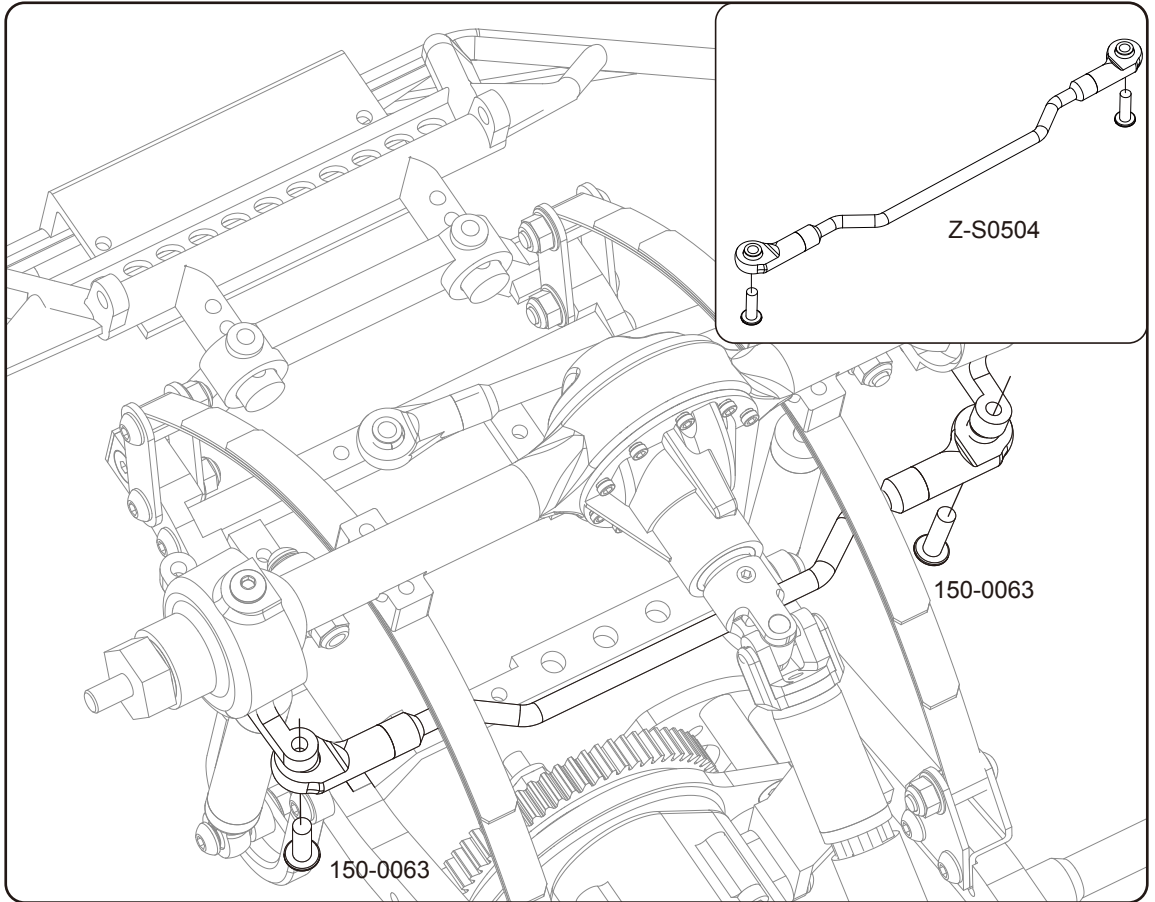
RC4WD

Optional Steps



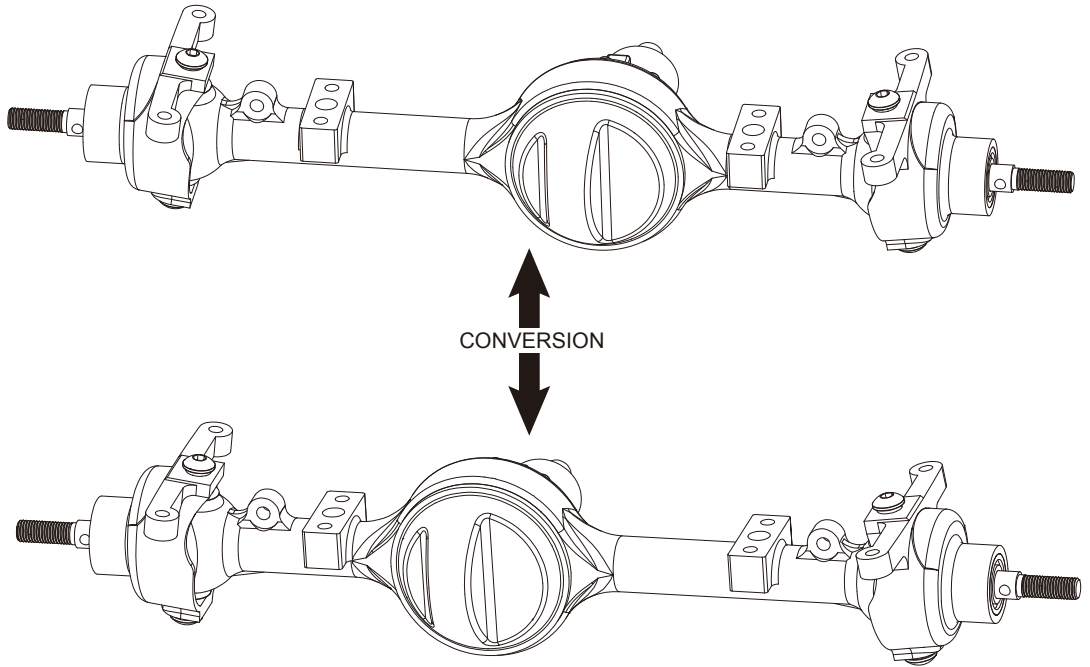
X2

150-0063
M3 x 10mm BHCS



*** Change the direction of the axle housing.**

A



B

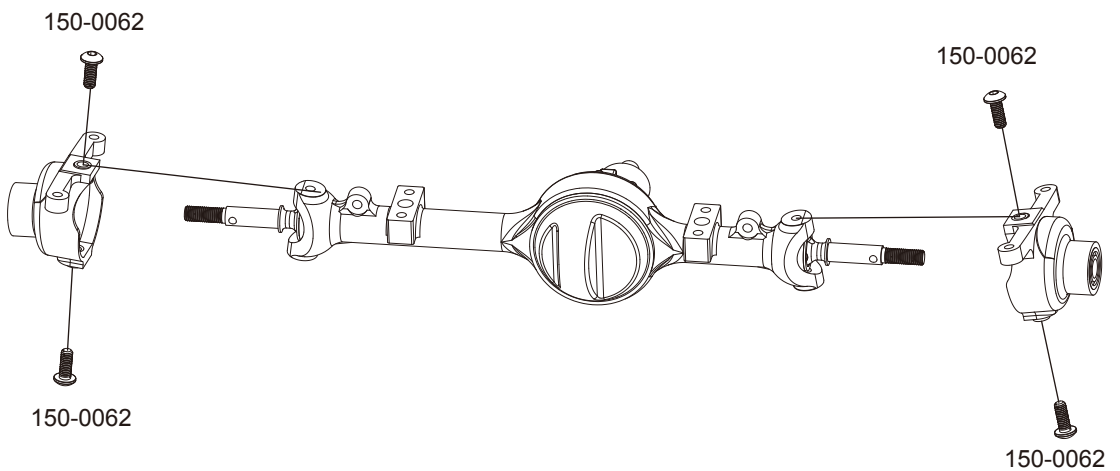
Remove the knuckles.

Quitar los nudillos.
Retirez les articulations.
Entfernen Sie die Knöchel.



X4

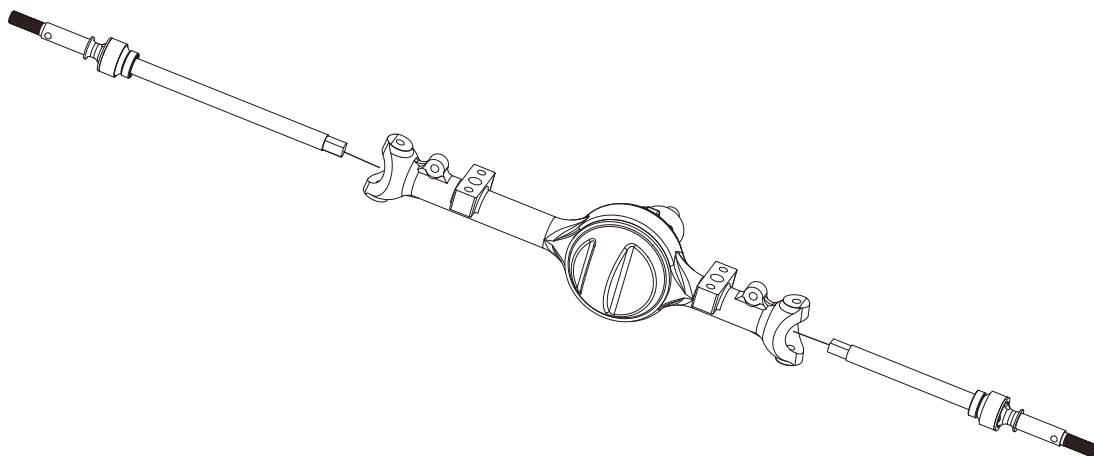
150-0062
M3 x 8mm BHCS



C

Remove the axle shaft.

Retire el semieje.
Retirer l'arbre d'essieu.
Die Achswelle ausbauen.



D

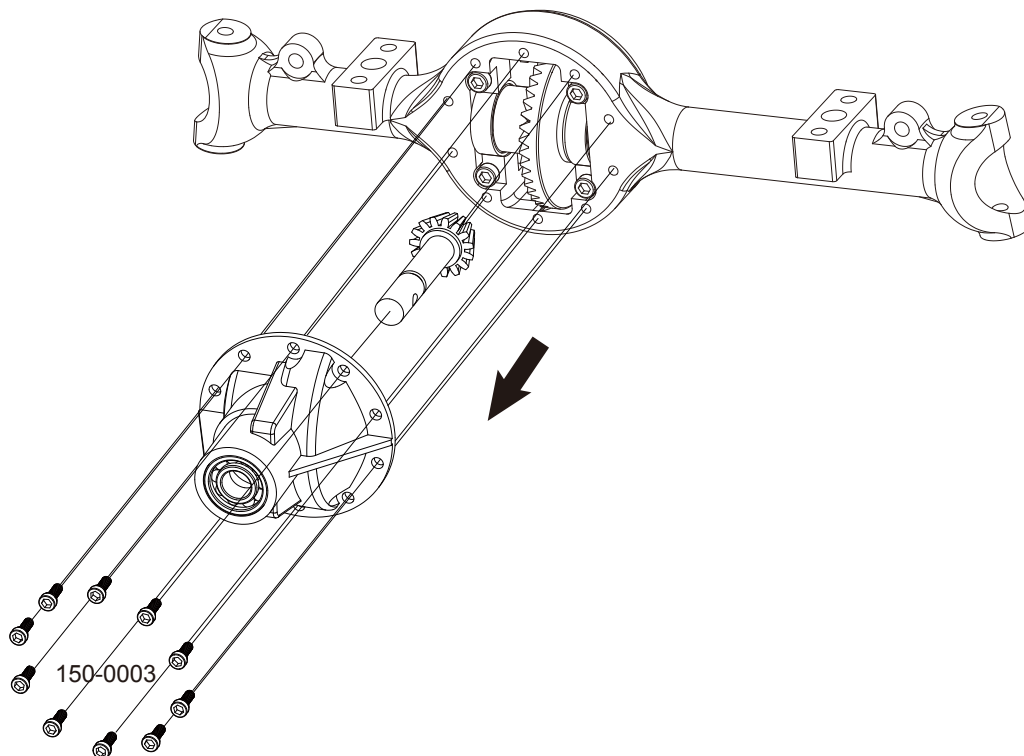
Remove the pinion gear.

Retire el piñón.
Retirez le pignon.
Entfernen Sie das Ritzel.



X10

150-0003
M2 x 5mm SHCS



E

Remove the ring gear and diff cover.

Retire el engranaje anular y la cubierta del diferencial.

Retirez la couronne dentée et le couvercle du différentiel.

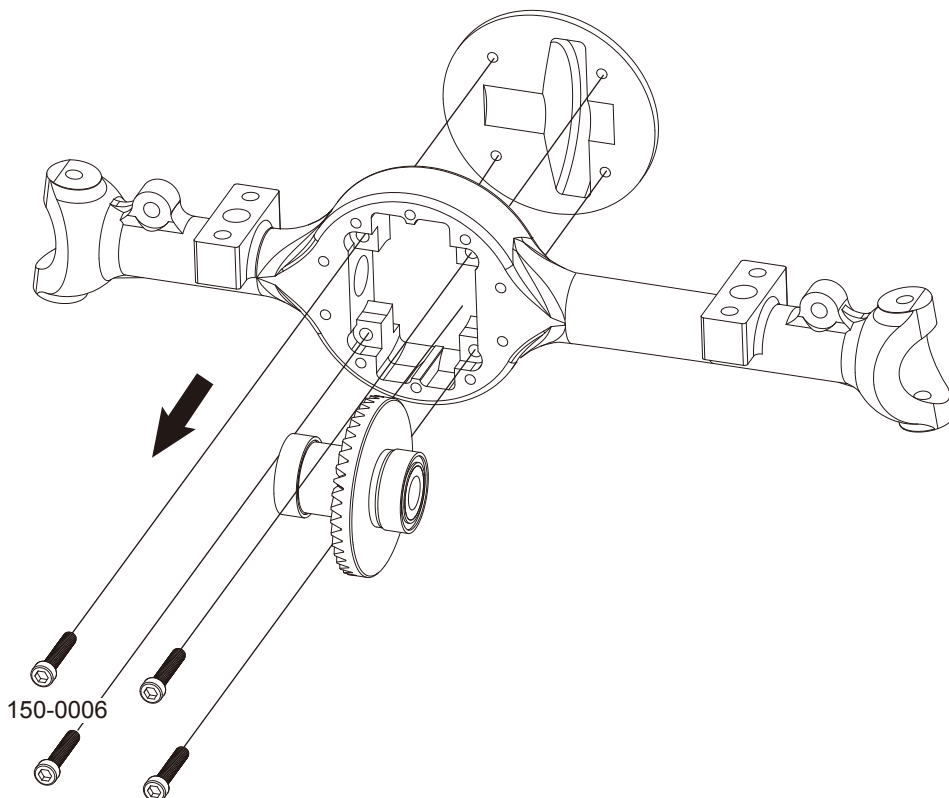
Entfernen Sie das Zahnrad und die Differentialabdeckung.



X4

150-0006

M2 x 10mm SHCS



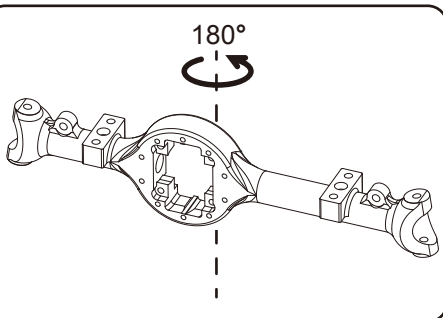
F

Rotate axle housing 180° then reinstall the ring gear.

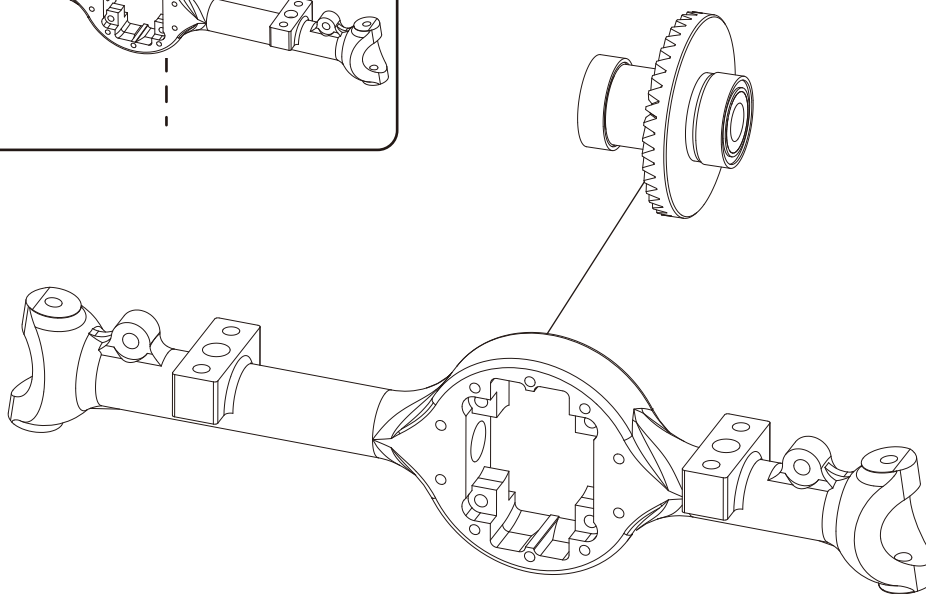
Gire la carcasa del eje 180° y luego vuelva a instalar el engranaje anular.

Faites pivoter le carter d'essieu de 180° puis réinstallez la couronne dentée.

Drehen Sie das Achsgehäuse um 180° und bauen Sie dann das Zahnrad wieder ein.



First, rotate the Axle Case Housing 180 degrees.



G

Reinstall the diff cover.

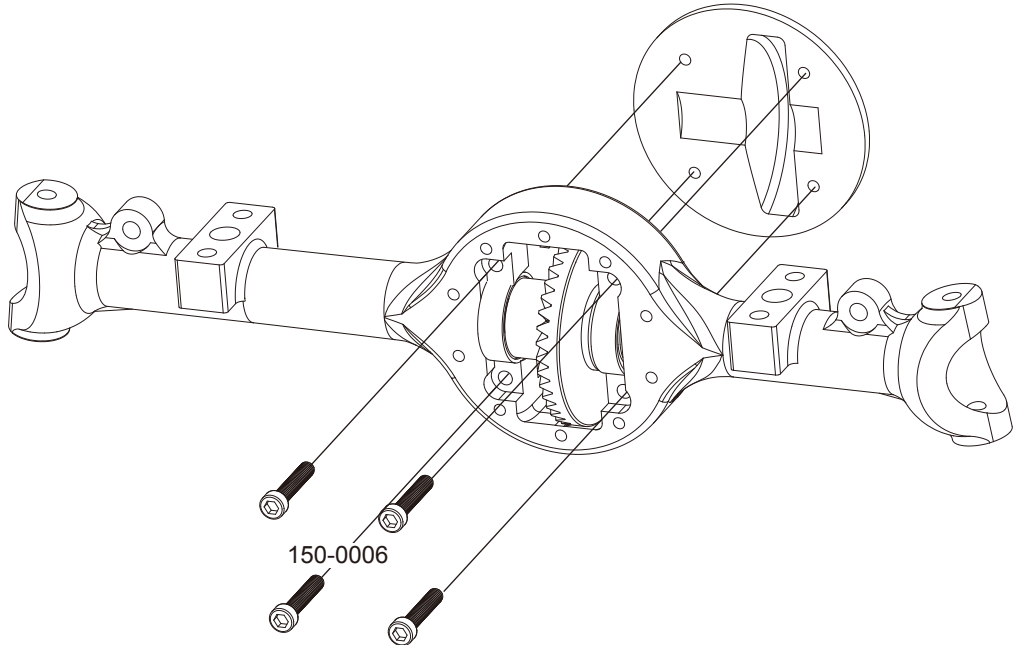
Reinstalar la cubierta del diferencial.

Réinstaller le couvercle du différentiel.

Installieren Sie die Diff-Abdeckung erneut.

 X4

150-0006
M2 x 10mm SHCS



H

Reinstall the pinion gear.

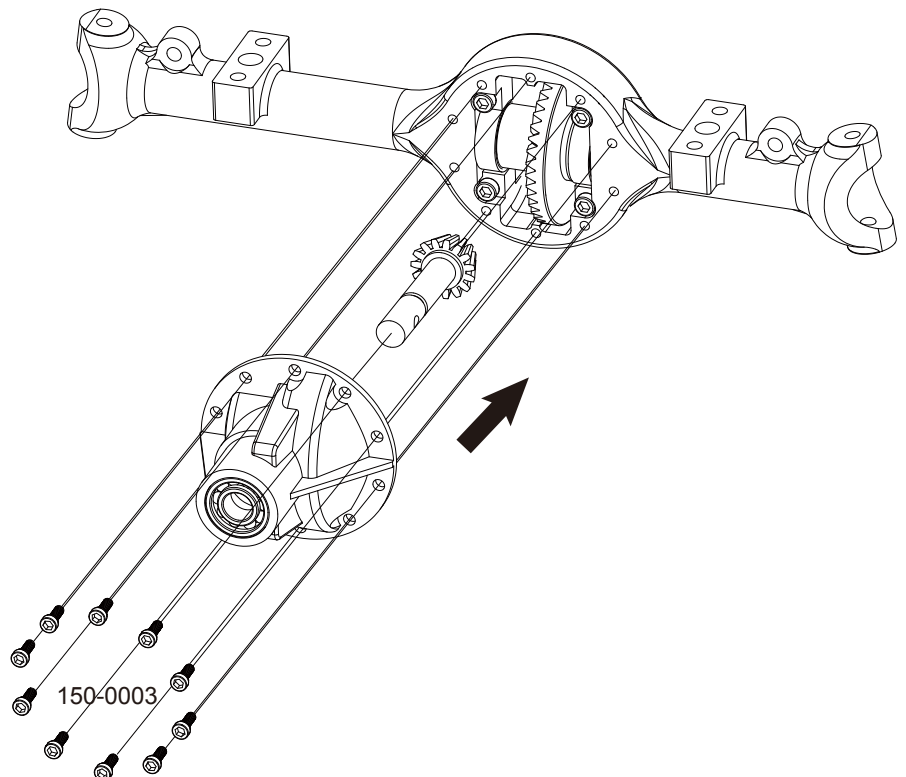
Vuelva a instalar el piñón.

Réinstaller le pignon.

Bauen Sie das Ritzel wieder ein.

 X10

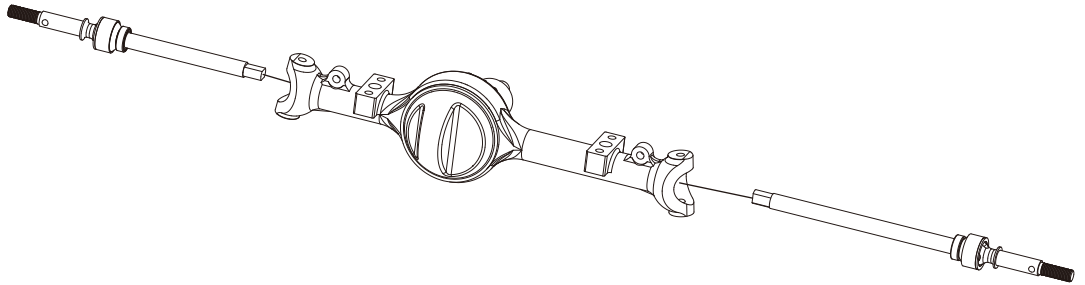
150-0003
M2 x 5mm SHCS



I

Reinstall the axle shafts.

Reinstalar los semiejes.
 Réinstaller les arbres d'essieu.
 Bauen Sie die Achswellen wieder ein.



J

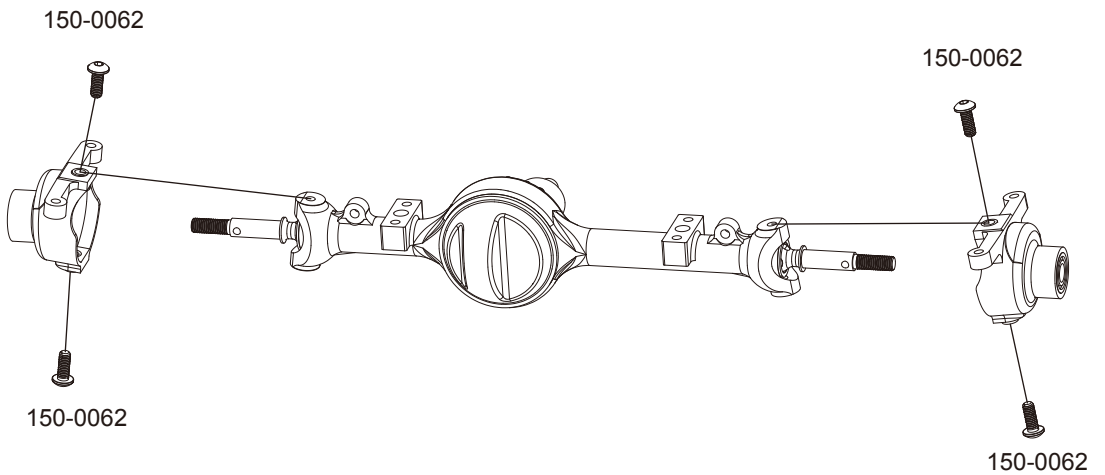
Reinstall the knuckles.

Reinstalar los nudillos.
 Réinstaller les articulations.
 Bauen Sie die Knöchel wieder ein.



X4

150-0062
 M3 x 8mm BHCS



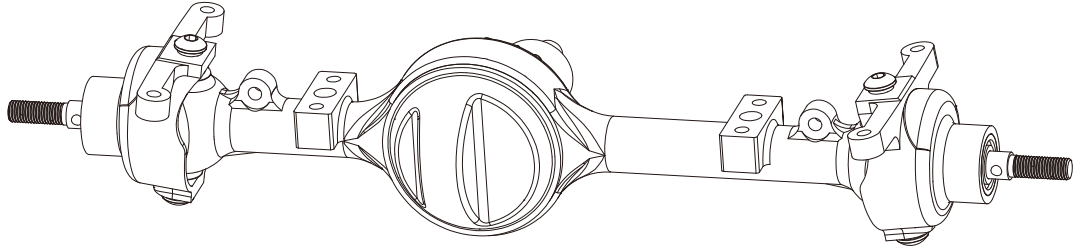
K

Conversion Complete.

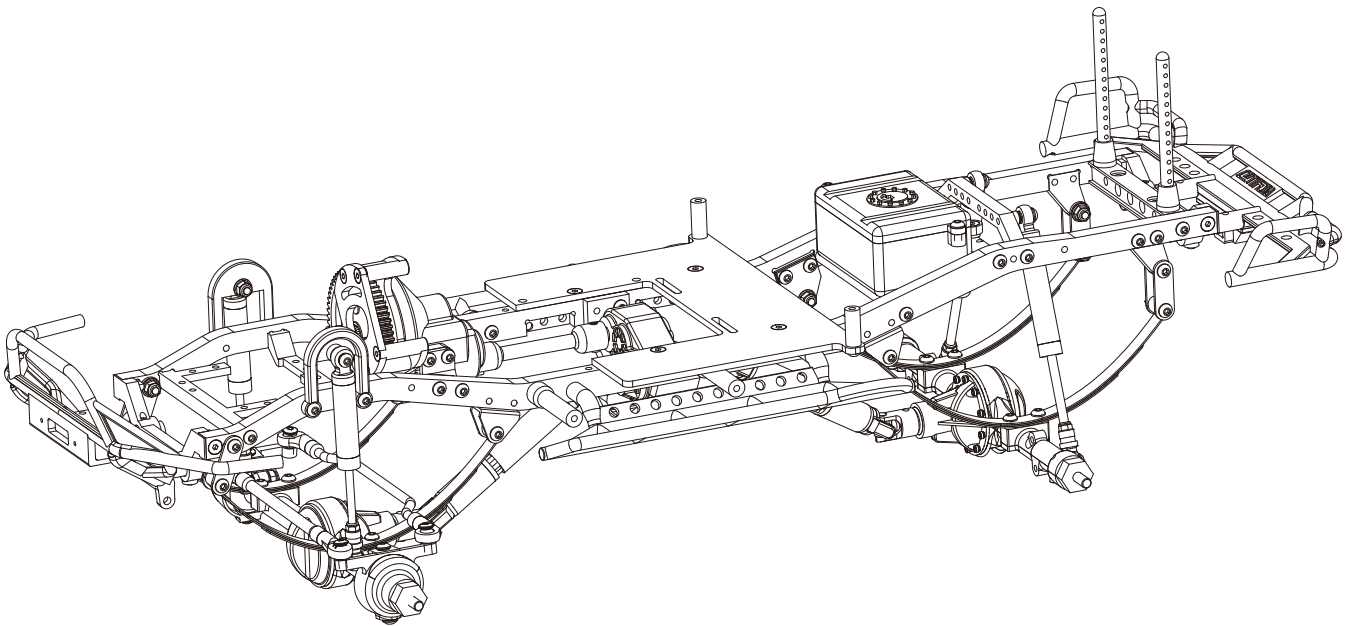
Conversión completada

Conversion terminée

Konvertierung abgeschlossen

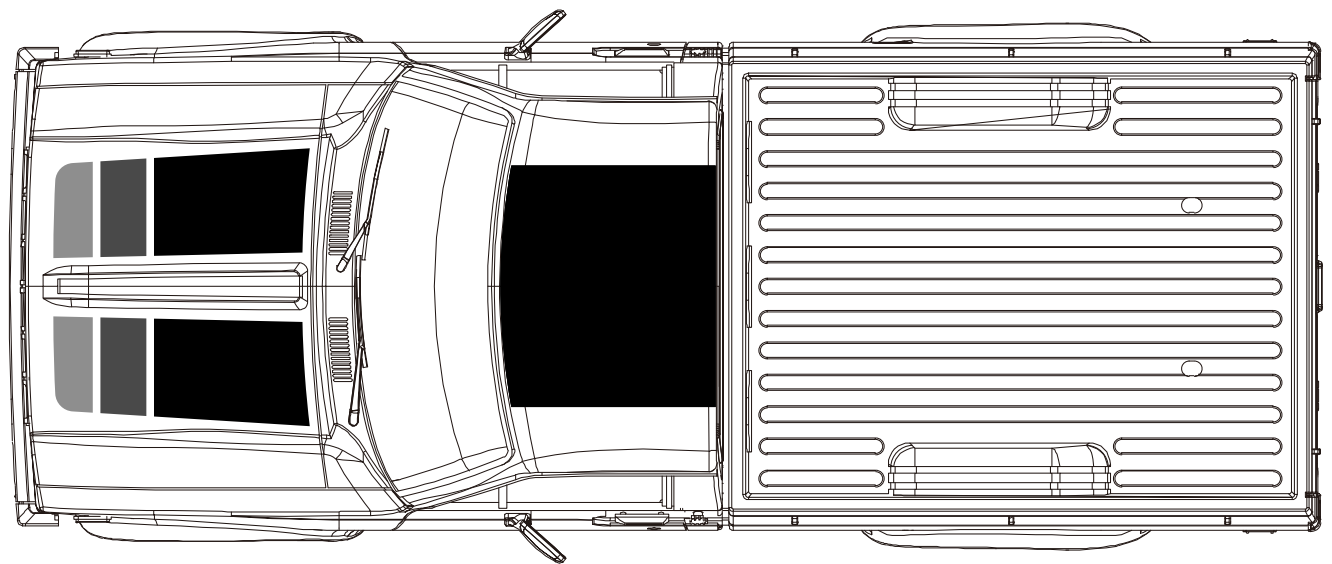
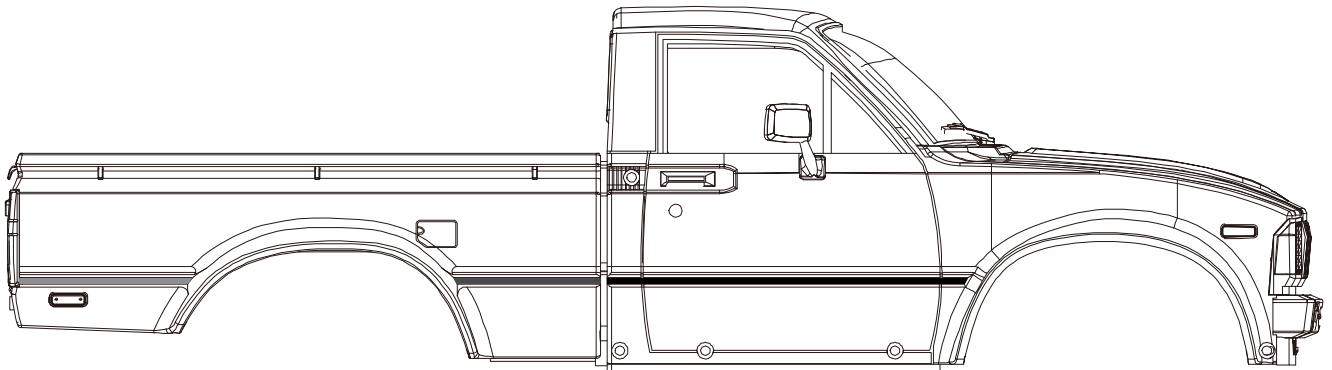
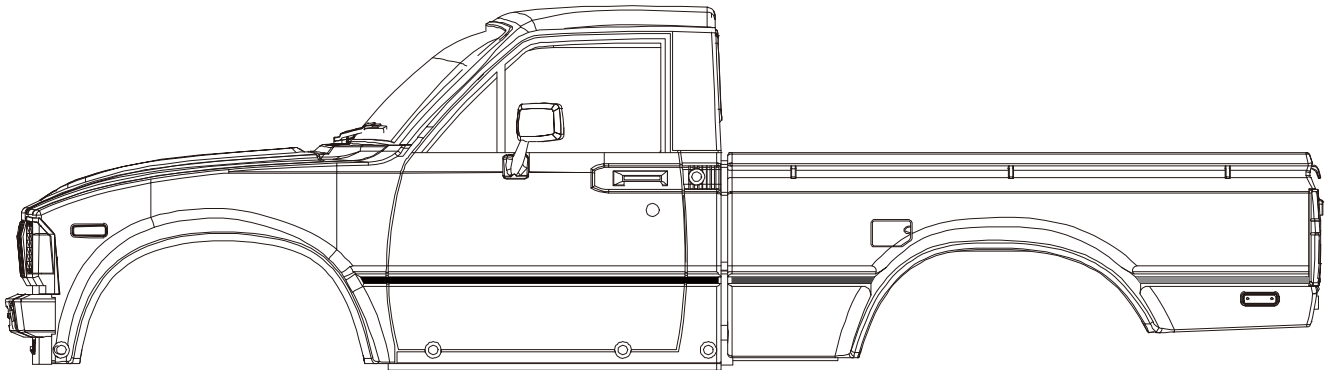


LEAF OVER AXLE CONVERSION INSTRUCTIONS



OPTIONAL DECAL PLACEMENT

Colocación de calcomanías opcionales / Placement optionnel des autocollants / Optionale Aufkleberplatzierung



REPLACEMENT PARTS

Piezas de repuesto / Pièces de rechange / Ersatzteile

- Z-A0080 Yota II Ultimate Scale Cast Axle (Front)
- Z-A0081 Yota II Ultimate Scale Cast Axle (Rear)
- Z-B0002 RC4WD 1982 Toyota Pickup and Mojave II Chrome Front Grille Parts Tree
- Z-B0004 RC4WD Clear Lexan Windshield for Tamiya Hilux and RC4WD Mojave Body
- Z-B0029 Trail Finder 2 Plastic Body Posts
- Z-B0072 RC4WD 1982 Toyota Pickup and Mojave II Rear Bed (Primer Gray)
- Z-B0074 RC4WD Mojave II Cab Back Panels and Grill Parts Tree (Primer Gray)
- Z-B0076 RC4WD Mojave II Chrome Bumper and Parts Tree
- Z-B0078 RC4WD 1982 Toyota Pickup and Mojave II Clear Parts Tree
- Z-B0080 RC4WD 1982 Toyota Pickup and Mojave II Dash and Wiper Parts Tree
- Z-B0082 RC4WD 1982 Toyota Pickup and Mojave II Rubber Mirror
- Z-B0259 RC4WD 1982 Toyota Pickup Cab
- Z-B0260 RC4WD 1982 Toyota Pickup Hood Parts
- Z-C0018 Trail Finder 2 Chassis Set
- Z-D0056 RC4WD Bilstein SZ Series Shock Absorbers (60mm)
- Z-D0058 RC4WD Bilstein SZ Series Shock Absorbers (80mm)
- Z-S0047 Leaf Spring Shackles & Mounts Kit
- Z-S0149 RC4WD Plastic Punisher Shaft V2 (98mm - 103mm / 3.86" - 4.06") 5mm Hole
- Z-S0194 RC4WD 120mm Hardened Steering Link (FOA)
- Z-S0197 Scale Front Hub Installation Tool
- Z-S0274 RC4WD Plastic Sliders for Trail Finder 2
- Z-S0398 M3 Mini Plastic Rod End (20x)
- Z-S0401 M3 Offset Short Plastic Rod End (20x)
- Z-S0475 RC4WD Rear Plastic Tube Bumper for Trail Finder 2
- Z-S0504 RC4WD 101mm Hardened Steering Link
- Z-S0552 Heavy Duty Nylon Strap Lock (5)
- Z-S0592 Fuel Cell Radio Box
- Z-S0593 Trail Finder 2 Bumper Mounts
- Z-S0852 RC4WD Marlin Crawler Front Winch Bumper w/Stinger for Trail Finder 2 V2
- Z-S0898 TF2 Long Drive Shaft Coupling for R3 Single Speed
- Z-S1010 RC4WD 1982 Toyota Pickup Hood Hinges
- Z-S1815 Super Soft Flex Leaf Springs for TF2 (4)
- Z-S2135 Leaf Under Mounts for Yota 2 / K44 Axles
- Z-T0107 RC4WD BFGoodrich All Terrain K02 1.7" Scale Tires
- Z-U0024 Hammer Transfer Case (1.47/1)
- Z-U0028 R3 Scale Single Speed Transmission
- Z-W0065 Stamped Steel 1.7" Beadlock SR5 Wheels (Chrome)



OPTIONAL PARTS

Partes opcionales / Pièces en option / Optionale teile

- Z-A0071 RC4WD Yota II Ultimate Scale Cast Front Axle V2 (Chrome)
- Z-A0072 RC4WD Yota II Ultimate Scale Cast Rear Axle (Chrome)
- Z-A0096 K44 Ultimate Scale Cast Rear Axle
- Z-A0101 K44 Ultimate Scale Cast Front Axle
- Z-B0032 RC4WD Scale Bench Seat for 1982 Toyota Pickup/Mojave II
- Z-B0047 RC4WD Tightfit Truck Topper for the Mojave and Hilux Bodies
- Z-B0143 RC4WD Clean Stripes for 1982 Toyota Pickup/Mojave II Decal Sheet (Black)
- Z-B0168 RC4WD Clean Stripes for 1982 Toyota Pickup/Mojave II Decal Sheet (White)
- Z-B0173 RC4WD Complete Interior w/Metal Details for 1982 Toyota Pickup/Mojave II
- Z-B0174 RC4WD Clean Stripes for 1982 Toyota Pickup/Mojave II Decal Sheet (Gray)
- Z-D0001 The Ultimate Scale Shocks 90mm (Silver)
- Z-D0004 The Ultimate Scale Shocks 70mm (Silver)
- Z-D0005 The Ultimate Scale Shocks 80mm (Silver)
- Z-D0012 RC4WD Superlift Superide 80mm Scale Shock Absorbers
- Z-D0015 RC4WD Superlift Superide 90mm Scale Shock Absorbers
- Z-D0034 RC4WD 70mm Old Man Emu Nitrocharger Sport Shocks by ARB
- Z-D0036 RC4WD 80mm Old Man Emu Nitrocharger Sport Shocks by ARB
- Z-D0038 RC4WD 90mm Old Man Emu Nitrocharger Sport Shocks by ARB
- Z-D0045 Super Scale 70mm White Shocks with Internal Springs
- Z-D0072 RC4WD Bilstein SZ Series 80mm Scale Shock Absorbers
- Z-D0075 RC4WD Bilstein SZ Series 90mm Scale Shock Absorbers
- Z-D0077 RC4WD Rancho RS9000 XL Shock Absorbers 80mm
- Z-D0078 RC4WD Rancho RS9000 XL Shock Absorbers 90mm
- Z-D0082 RC4WD Bilstein SZ Series 60mm Scale Shock Absorbers
- Z-D0083 RC4WD Bilstein SZ Series 70mm Scale Shock Absorbers
- Z-E0001 540 Crawler Brushed Motor 80T
- Z-E0002 540 Crawler Brushed Motor 65T
- Z-E0003 540 Crawler Brushed Motor 55T
- Z-E0004 540 Crawler Brushed Motor 45T
- Z-E0005 540 Crawler Brushed Motor 35T
- Z-E0006 RC4WD LED Basic Lighting System for 1982 Toyota Pickup/Mojave II
- Z-E0009 RC4WD 1/10 Mini Warn 9.5cti Winch
- Z-E0016 LED Basic Lighting System For Mojave II 2/4 Door Body
- Z-E0022 RC4WD KC HiLiTES Daylighter Light Set V2
- Z-E0035 Twister High Torque Metal Gear Digital Servo
- Z-E0036 RC4WD KC HiLiTES KC Light Set V2
- Z-E0041 RC4WD Brushed 45T Boost Rebuildable Crawler 540 Motor
- Z-E0045 RC4WD Brushed 35T Boost Rebuildable Crawler 540 Motor
- Z-E0055 RC4WD KC HiLiTES 1/10 C Series High Performance LED Light Bar (75mm/3")
- Z-E0059 RC4WD KC HiLiTES 1/10 C Series High Performance LED Light Bar (100mm/4")
- Z-E0064 RC4WD 1/10 Baja Designs S8 LED Light Bar (100mm)
- Z-E0065 540 Crawler Brushed Motor 20T
- Z-E0066 RC4WD 1/10 Baja Designs Squadron Pro LED Lights
- Z-E0067 540 Crawler Brushed Motor 27T
- Z-E0069 RC4WD 1/8 Warn Zeon 10 Winch
- Z-E0075 RC4WD 1/10 Warn 8274 Winch
- Z-E0090 RC4WD 6-Cell 3000mAh NIMH Battery Pack
- Z-E0106 RC4WD Universal NIMH Peak Battery Charger
- Z-E0112 RC4WD ARB Intensity LED Light Set
- Z-E0113 Outcry III Waterproof ESC
- Z-E0118 Outcry Extreme Speed Controller ESC w/ Program Card
- Z-E0119 RC4WD 1/10 Warn 9.5cti-s Winch
- Z-E0125 Twister Extreme Hi-Voltage Coreless Metal Gear Digital Waterproof Servo
- Z-E0132 RC4WD KC HiLiTES Rectangle Lights with Covers
- Z-R0006 XR4 4-Channel 2.4Ghz Transmitter/Receiver Radio
- Z-R0009 XR3 3-Channel 2.4Ghz Transmitter/Receiver Radio
- Z-S0003 #3 Aluminum Bumper Mount For Trail Finder 2



OPTIONAL PARTS

Partes opcionales / Pièces en option / Optionale teile

- Z-S0004 #2 Aluminum Bumper Mount for Trail Finder 2
- Z-S0006 #1 Aluminum Bumper Mount For Trail Finder 2
- Z-S0056 Tough Armor Side Steel Sliders for Trail Finder 2
- Z-S0075 King Kong Mini Tow Shackle
- Z-S0093 King Kong Tow Shackle
- Z-S0196 Scale Aisin/Yota Style Hubs
- Z-S0256 RC4WD Front Inner Fender Set for 1982 Toyota Pickup
- Z-S0273 RC4WD Tough Armor Double Steel Tube Front Bumper for Trail Finder 2
- Z-S0358 Truck Bed Mount Angled Spare Tire Carrier
- Z-S0407 RC4WD 12mm Mini Hex Wheel Widener Set (+15mm)
- Z-S0477 RC4WD Tough Armor Double Steel Tube Rear Bumper for Trail Finder 2
- Z-S0551 RC4WD Lettering Kit for Mojave and Tamiya Hilux/Tundra Bodies
- Z-S0565 3 Link Kit For Trail Finder 2 Front Axle w/Panhard Setup
- Z-S0570 Red Super Soft Flex Leaf Springs (4)
- Z-S0579 Tough Armor Rear Bumper for Trail Finder 2 w/Hitch Mount
- Z-S0590 Big Boss Fender Flares for Tamiya Hilux and RC4WD Mojave Body
- Z-S0603 4 Link Kit For Trail Finder 2 Rear Axle
- Z-S0682 RC4WD Lift Kit for 1982 Toyota Pickup/Mojave II
- Z-S0702 RC4WD Rebel Off Road Aluminum Hawse Fairlead
- Z-S0753 RC4WD Marlin Crawler Side Metal Sliders for Trail Finder 2
- Z-S0759 RC4WD 1/10 Bed Mounted Tire Carrier
- Z-S0765 Tough Armor Front Tube Bumper w/Winch Mount for Trail Finder 2
- Z-S0768 RC4WD Adjustable Rear Shock Mounts for Trail Finder 2
- Z-S0771 RC4WD Steel Roll Bar for 1982 Toyota Pickup/Mojave II
- Z-S0782 Anti Wrap Bar for Yota 2 Axles
- Z-S0822 Heavy Duty Metal Servo Arm 25t Futaba
- Z-S0907 Yota II Scale Diff Cover
- Z-S1093 RC4WD Billet Aluminum Fuel Cell Radio Box (Black)
- Z-S1095 RC4WD Adjustable Drop Hitch (Short)
- Z-S1118 Scale Steel Punisher Shaft V2 (90mm - 115mm / 3.54" - 4.53")
- Z-S1122 RC4WD Billet Aluminum Fuel Cell Radio Box (Red)
- Z-S1237 King Kong Tow Shackle (Orange)
- Z-S1295 RC4WD ARB Diff Cover For The Yota II Axle (Red)
- Z-S1310 RC4WD 1/10 Warn Hawse Polished Aluminum Fairlead
- Z-S1315 RC4WD 1/10 Warn Hawse Fairlead (Black)
- Z-S1373 RC4WD Marlin Crawler Rear Steel Tube Bumper for Trail Finder 2
- Z-S1476 Super Scale Steel Leaf Springs for TF2 & Tamiya Bruiser (2)
- Z-S1478 RC4WD Marlin Crawler Roll Bar for Mojave Body
- Z-S1496 RC4WD Marlin Crawler Front Winch Bumper for Trail Finder 2
- Z-S1498 RC4WD 1/10 Viking Roller Fairlead for Warn 9.5cti Winch
- Z-S1587 RC4WD Teraflex Revolver Z-Box for Trail Finder, F-350, Hilux, Tundra
- Z-S1594 RC4WD Teraflex Revolver Shackle
- Z-S1627 Motor Mount for R4 Transmission
- Z-S1718 RC4WD AA Batteries
- Z-S1777 Low Profile Delrin Transfer Case Mount for TF2
- Z-S1789 RC4WD Marlin Crawler Front Winch Bumper w/Stinger for Trail Finder 2
- Z-S1825 RC4WD 12mm Hex Wheel Widener Set (+7mm)
- Z-S1826 RC4WD Safari Snorkel for 1982 Toyota Pickup/Mojave II
- Z-S1827 Tough Armor Rear Tube Bumper w/Hitch Mount for Trail Finder 2
- Z-S1830 Tough Armor Rear Steel Tube Bumper w/Hitch Mount for Trail Finder 2
- Z-S1845 Tough Armor Front Winch Bumper for Mojave II 2/4 Door Body Set
- Z-S1851 Low Profile Delrin Skid Plate for Std. TC (TF2)
- Z-S1870 Hitch Mount for RC4WD TF2
- Z-S1882 Trail Finder 2 Aluminum Side Body Posts
- Z-S1923 Reverse Mount Spring Hanger Conversion Kit for TF2 and TF2 LWB
- Z-S1924 RC4WD Rancho Diff Cover for Yota II Axle
- Z-S1949 RC4WD Rancho Adjustable Steering Stabilizer (70-100mm)



OPTIONAL PARTS

Partes opcionales / Pièces en option / Optionale teile

Z-S2140	RC4WD Double Steel Tube Headache Rack for 1982 Toyota Pickup/1987 XtraCab and Mojave II
Z-T0051	Mud Thrashers 1.9" Scale Tires
Z-T0107	RC4WD BFGoodrich All Terrain K02 1.7" Scale Tires
Z-T0152	Scrambler Offroad 1.55" Scale Tires
Z-T0177	RC4WD Goodyear Wrangler Duratrac 1.55" 4.19" Scale Tires
Z-T0179	RC4WD Falken Wildpeak M/T 1.7" Tires
Z-T0189	RC4WD BFGoodrich Krawler T/A KX 1.7" Scale Tires
Z-T0190	RC4WD BFGoodrich Mud Terrain T/A KM2 1.55" Scale Tires
Z-T0191	RC4WD BFGoodrich Mud Terrain T/A KM3 1.7" Tires
Z-T0192	RC4WD BFGoodrich Mud Terrain T/A KM3 1.9" Tires
Z-T0225	RC4WD BFGoodrich Mud Terrain KM 1.9" Scale Tires
Z-W0014	RC4WD Center Line 1.55" Scorpion Deep Dish Wheels
Z-W0041	RC4WD XD 1.7" XD849 Grenade 2 Deep Dish Beadlock Wheels
Z-W0086	RC4WD Warn 1.7" Epic Jack Hammer Wheels
Z-W0118	RC4WD Ballistic Off Road Morax 1.7" Beadlock Wheels
Z-W0122	RC4WD Enforcer 1.9" Beadlock Wheels
Z-W0200	RC4WD Fuel Off-Road Maverick 1.9" Beadlock Wheels
Z-W0266	RC4WD Benchmark 1.7" Beadlock Wheels
Z-W0274	RC4WD 1911 1.9" Beadlock Wheels
Z-W0292	RC4WD Raceline Combat 1.55" Beadlock Wheels
Z-W0333	RC4WD Fuel Off-Road 1.55" Zephyr Beadlock Wheels (Gunmetal)
Z-X0027	RC4WD Scale Rear Hitch Carrier
Z-X0053	RC4WD Type B Machine Front Winch Bumper for TF2
VVV-C0106	Steel Tube Rollbar Rack for RC4WD 1982 Toyota Pickup/Mojave II (Style A)
VVV-C0108	Steel Tube Rollbar Rack for RC4WD 1982 Toyota Pickup/Mojave II (Style B)
VVV-C0207	Tonneau Cover for RC4WD 1982 Toyota Pickup/Mojave II
VVV-C0294	Roll Bar/Roof Rack for RC4WD 1982 Toyota Pickup/Mojave II
VVV-C0295	Roll Bar/Roof Rack w/Light Bar Frame for RC4WD 1982 Toyota Pickup/Mojave II
VVV-C0373	Rear Bed Rack for Mojave II Body Set
VVV-C0378	Interior Package for RC4WD 1982 Toyota Pickup/Mojave II
VVV-C0387	1/10 Rear Spare Tire Mount for RC4WD 1982 Toyota Pickup/Mojave II
VVV-C0422	Trifecta Front Bumper for Mojave II 2/4 Door Body Set (Black)
VVV-C0424	Malice Mini Roof Rack for RC4WD 1982 Toyota Pickup/Mojave II
VVV-C0425	Malice Mini Roof Rack w/Lights for RC4WD 1982 Toyota Pickup/Mojave II
VVV-C0429	Rear Mud Flaps for Mojave II 2/4 Door Body Set
VVV-C0430	Bed Soft Top w/Cage for RC4WD 1982 Toyota Pickup/Mojave II (Black)
VVV-C0432	Kangaroo Front Bumper for Mojave II 2/4 Door Body Set (Black)
VVV-C0434	Kangaroo Front Bumper w/Lights for Mojave II 2/4 Door Body Set (Black)
VVV-C0709	Wood Flatbed for TF2 Mojave Body
VVV-C0710	Wood Flatbed w/ Mudflaps for TF2 Mojave Body
VVV-C0712	Kober Rear Bed W/ Mud Flaps for TF2 Mojave Body (Black)
VVV-C0737	Diamond Plate Rear Bed for RC4WD 1982 Toyota Pickup/Mojave II





www.rc4wd.com



737 N. Gateway St.
Visalia, CA 93291
www.RC4WD.com
support@rc4wd.com



Toyota is a registered trademark of the Toyota company. The Toyota logo is the property of Toyota and is used under license to RC4WD.